

TUELL AND REYNOLDS

S P R I N G 2 0 2 4 E D I T I O N





TUELL AND REYNOLDS is a small company founded on the tradition of handcrafted excellence. Our goal is to create furnishings which will subtly enhance the beauty of any home. Our work is distinguished by meticulous attention to detail and finish. Honest elemental materials harmonize with the design and construction of each piece. Each item is entirely and exclusively handmade to order in our Northern California studio by craftspeople working with time honored techniques and tools. Custom variations are welcome. We look forward to assisting you personally with any inquiries or requests that you may have.

T A B L E O F C O N T E N T S

TABLES		LUMINARIES		HEARTH		CABINETS	
FRACTAL COCKTAIL TABLES	4	ELYTRON TABLE LAMP	72	MONTANA FIRE TOOL SET	118	PANTHALASSA CABINET	172
TOKEN OCCASIONAL TABLES	7	HIVE LINEAR SCONCE	74	VANCOUVER FIREPLACE SCREEN	120	RORSCHACH CABINET	174
FOLIOSE TABLES	9	EDO LARGE TABLE LAMP	78	KETCHUM FIREPLACE SCREEN	122	STRATA CABINET	176
CYPRESS SIDE TABLE	11	EDO SMALL TABLE LAMP	80	ASPEN FIREWOOD BASKET	124	MUIR CABINET	178
MCDERMITT SIDE TABLE	13	NOUVEAU FLOOR LAMP	82	VERMONT ANDIRONS	126	MACKERRICHER CABINET	180
VENTANA NESTING COCKTAIL TABLES	15	TAOS FLOOR LAMP	84	STRATA ANDIRONS	128		
KLAMATH BRONZE COCKTAIL TABLE	17	CARLSBAD SCONCE	86	STRATA FIREPLACE SCREEN	130	HARDWARE	
CALDERA ACCENT TABLE	19	HOLLYWOOD TABLE LAMP	88	STRATA FIRE TOOL SET	132	RALSTON DRAPERY	182
CALDERA CIGARETTE TABLE	21	TAOS TABLE LAMP	90	MORAGA FIREPLACE SCREEN	134	HILLSBOROUGH DRAPERY	184
HOHLA BAR CART	23	ALBION TABLE LAMPS	92	TELLURIDE ANDIRONS	136	PIEDMONT DRAPERY	186
CALDERA CONSOLE TABLE	25	ALBION SCONCE	94	MONTREAL ANDIRONS	138	NEWPORT DRAPERY	188
TAMALPAIS CONSOLE	27	LIMANTOUR SCONCE	96	WOODSIDE FIRE TOOL SET	140	ROSS DRAPERY	190
TAMALPAIS COCKTAIL TABLE	29	GALAPAGOS CLUSTER PENDANT	98	QUÉBEC ANDIRONS	142	BERKELEY DRAPERY	192
CARMEL COCKTAIL TABLE	31	GALAPAGOS CHANDELIER	100	PASADENA FIREGRATE	144		
SHINJUKU ACCENT TABLE	33	GALAPAGOS PENDANT	102	TETON FIRE TOOL SET	146	ACCESSORIES	
SEACLIFF SIDE TABLE	35	BOLINAS TABLE LAMP	104	ASILOMAR FIREWOOD BASKET	148	CALDERA ETAGERE	194
HAKONE ACCENT TABLE	37	ESTERO TABLE LAMP	106			CARDIFF TRAY	196
SEQUOIA TRAY SIDE TABLE	39	MACKERRICHER SCONCE	108	MIRRORS			
CASCADE ACCENT TABLE	41	MANHATTAN SCONCE	110	LAMINA MIRROR	150		
LASSEN SIDE TABLE	43	MANHATTAN CHANDELIER	112	EDO MIRROR	152	FINISHES	
CATALINA SIDE TABLE	45	MENDOCINO SCONCE	114	MOAB MIRROR	154	FINISH OPTIONS	198
ROPPONGI SIDE TABLE	47	MENDOCINO CHANDELIER	116	ANNADEL MIRROR	156		
TOSHIMA SIDE TABLE	49			ANNADEL RECTANGULAR MIRROR	158		
LOBRANO SIDE TABLE	51			JENNER MIRROR	160		
ASILOMAR ACCENT TABLE	53			MELROSE MIRROR	162		
ASILOMAR SIDE TABLE	55			DENALI MIRROR	164		
ASILOMAR CONSOLE	57			STRATA MIRROR	166		
SHASTA SIDE TABLE	59			POTRERO MIRROR	168		
STRATA ACCENT TABLE	61			ASILOMAR MIRROR	170		
NICASIO COCKTAIL TABLE	63						
VIENNA SIDE TABLE	65						
TESSERA SIDE TABLE	67						
HAKONE 4 SQUARE SIDE TABLE	69						
TILDEN COCKTAIL TABLE	71						



FRACTAL COCKTAIL TABLE

DIMENSIONS

Large: 41.5 W x 25.75 D x 16.75 H

Small: 35.25 W x 22 D x 15.5 H

MATERIALS

Cast bronze tops, architectural bronze base and shelf.

FINISH

Available in Light, Medium, Dark, or Warm Silver (premium finish)
Clear lacquer top coat.

ITEM NUMBERS

T-110 Pair

T-111 Small

T-112 Large

NOTE

Available individually or as a nested pair. Shown with two-tone finish.

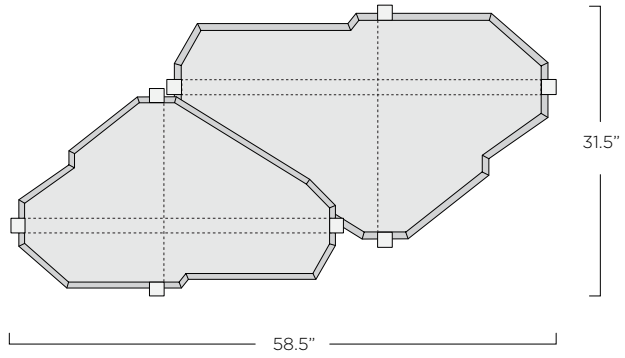
 **TUELL AND
REYNOLDS**

228 S. East Street, Cloverdale, CA 95425

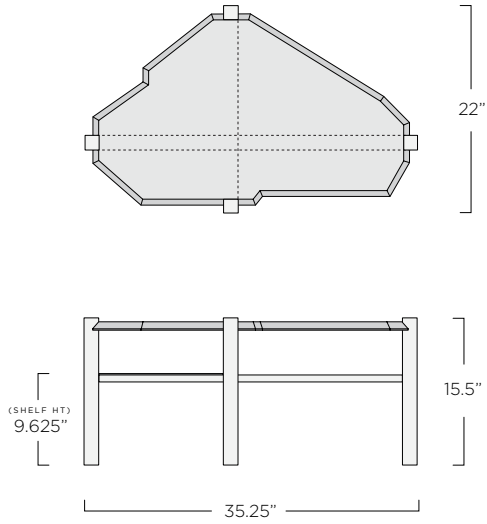
TEL 707.669.0556 WEB tuelloreynolds.com



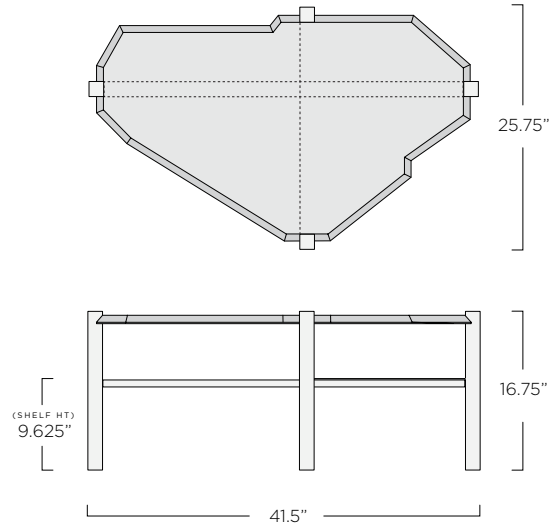
T-110 - Nested Pair



T-111 - Small Table



T-112 - Large Table





TOKEN OCCASIONAL TABLES

DIMENSIONS

See diagram on back for table top shapes and dimensions.

MATERIALS

Lost wax cast top and sand cast bronze base.

FINISH

Available in Light, Medium, Dark, or Warm Silver (premium finish)
Clear lacquer top coat.

ITEM NUMBERS

T-210 Set of all four
T-211 Extra large
T-212 Large
T-213 Medium
T-214 Small

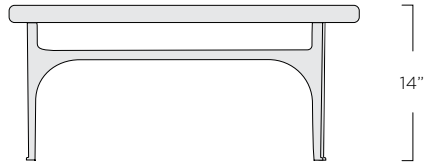
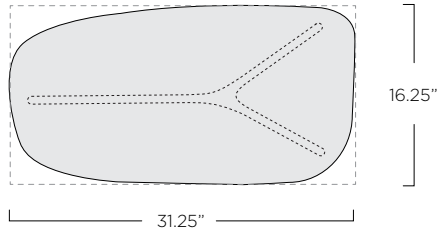
NOTE

Tables available individually or mix and match into groupings.

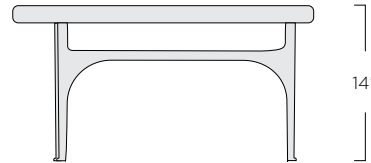
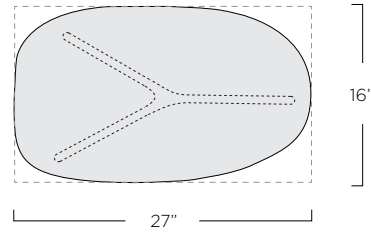
 **TUELL AND
REYNOLDS**

228 S. East Street, Cloverdale, CA 95425
TEL 707.669.0556 WEB tuellreynolds.com

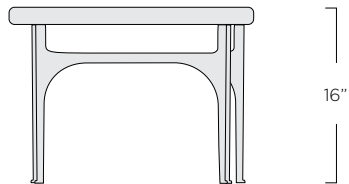
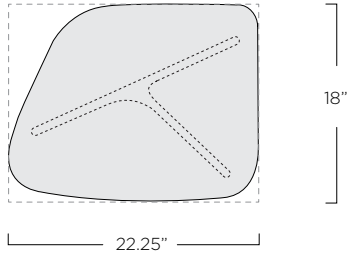
A



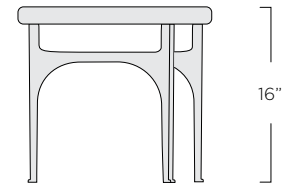
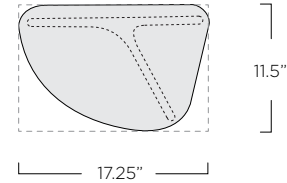
B



C



D



TOKEN OCCASIONAL TABLES

Standard Plan Configurations:

A. T-211 Extra large

31.25 W x 16.25 D x 14 H

B. T-212 Large

27 W x 16 D x 14 H

C. T-213 Medium

22.25 W x 18 D x 16 H

D. T-214 Small

17.25 W x 11.5 D x 16 H

T-210 Set of all four tables

Additional Notes:

Custom configurations are also welcome.



228 S. East Street, Cloverdale, CA 95425

TEL 707.669.0556 WEB tuellreynolds.com

FOLIOSE TABLES

DIMENSIONS

Table A: 18 W x 11 D x 22 H
Table B: 16 W x 12.5 D x 22 H
Base: 12.5 x 14.5

MATERIALS

Lost wax cast bronze tops,
iron stem and base.

FINISH

Available in Light, Medium, Dark,
or Warm Silver (premium finish)
Clear lacquer top coat.

ITEM NUMBER

ST - 405

NOTE

Table top and lower shelf pivot.

 **TUELL AND
REYNOLDS**

228 S. East Street, Cloverdale, CA 95425
TEL 707.669.0556 WEB tuellreynolds.com





CYPRESS
SIDE TABLE

DIMENSIONS

23.5 L x 16 D x 22.5 H

MATERIALS

Lost wax cast bronze.

FINISH

As shown in multi-tone patina finish.
Also available in Light, Medium, Dark,
or Warm Silver (premium finish).
Wax top coat standard.

ITEM NUMBER

ST - 240

NOTE

This can be built to have the tray top
removable upon request.





M c D E R M I T T
S I D E T A B L E

D I M E N S I O N S

13.5 W x 10 D x 23 H as shown
Size is based on stone, height can
be customized.

M A T E R I A L S

Lost wax cast bronze base with
petrified wood top.

F I N I S H

Available in Light, Medium, Dark,
or Warm Silver (premium finish).
Wax top coat standard.

I T E M N U M B E R

T - 605

N O T E

Each table is unique. Stone availability
changes based on current inventory.
Stone selection must be made prior
to order placement. Price is subject to
change based on stone selection.



228 S. East Street, Cloverdale, CA 95425
TEL 707.669.0556 WEB tuellreynolds.com





VENTANA NESTING COCKTAIL TABLES

DIMENSIONS

35 x 26 x 18 H and
31 x 20 x 16.5 H as shown

MATERIALS

Lost wax cast bronze.

FINISH

Available in Light, Medium, Dark
or Warm Silver (premium finish).
Wax top coat standard.

ITEM NUMBER

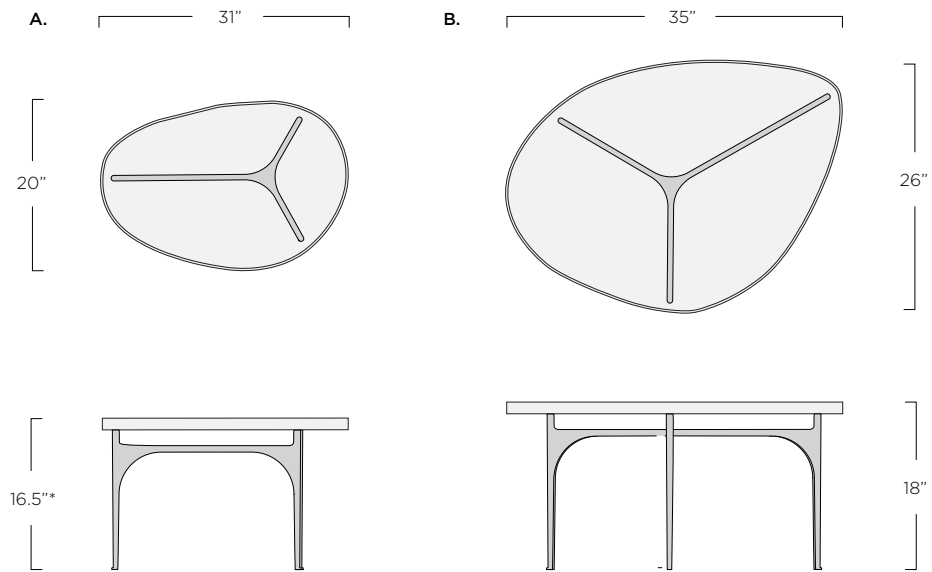
T-624 for the pair.

NOTES

See back of tear sheet for table
dimensions and shapes. Tables are
available individually or as a pair.
Either table can be 18" tall as a
maximum.

 **TUELL AND
REYNOLDS**

228 S. East Street, Cloverdale, CA 95425
TEL 707.669.0556 WEB tuellreynolds.com



Tables are available individually or as a pair.
 * Either table can be 18" tall as a maximum.





K L A M A T H
BRONZE COCKTAIL TABLE

DIMENSIONS

43 W x 33 D x 16 H

MATERIALS

Architectural bronze base with cast bronze tops.

FINISH

Available in Light, Medium, Dark or Warm Silver (premium finish). Lacquer finish.

ITEM NUMBER

T-750

NOTES

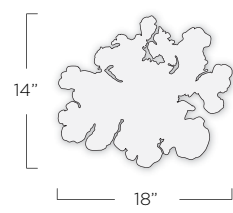
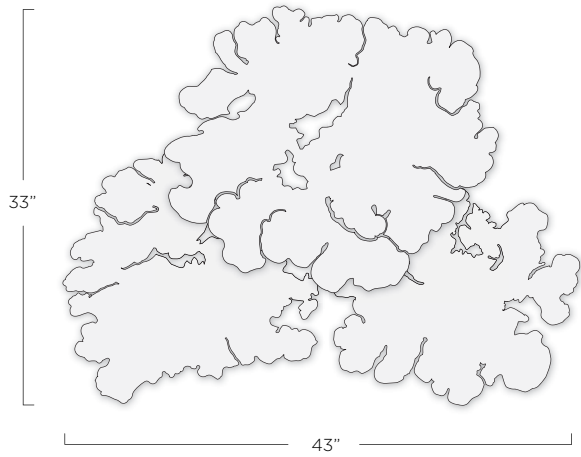
The three castings used to make this table can be used to make single pieces or configured differently than shown.



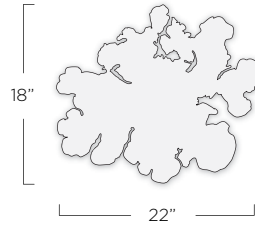
228 S. East Street, Cloverdale, CA 95425
TEL 707.669.0556 WEB tuellreynolds.com

The Klamath Table (consisting of three shapes).

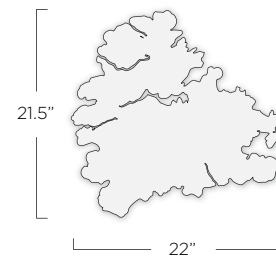
Shapes can also be used individually as well as in the group we call Klamath.



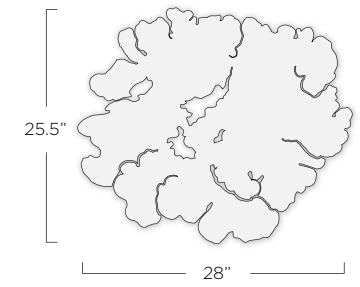
Small Shape
(not used in product)



Medium Shape One



Medium Shape Two



Large Shape





CALDERA
SIDE TABLE

DIMENSIONS

17.5 W x 14.75 D x 22.25 H

MATERIALS

Cast bronze.

FINISH

Available in Light, Medium, Dark or Warm Silver (premium finish). Clear lacquer top coat.

ITEM NUMBER

ST - 775

NOTES

Also available in cast aluminum with pewter patina.





CALDERA
CIGARETTE TABLE

DIMENSIONS

14.75 W x 9 D x 22.75 H

MATERIALS

Cast aluminum.

FINISH

Only as shown "pewter" patina.
Clear lacquer top coat.

ITEM NUMBER

ST - 630

NOTES

Also available in cast bronze
version in any of our bronze
finishes.





HOHLA
BAR CART

DIMENSIONS

42 W x 18 D x 32.5 OAH

MATERIALS

Blackened iron base with bronze rails, Original patina and engraved bronze top with protective 1/4" glass top.

Artwork by Victoria Reynolds.

FINISH

Only as shown. Clear lacquer top coat.

ITEM NUMBER

T-760

NOTES

Also available with glass top or any COM top.

 **TUELL AND
REYNOLDS**

228 S. East Street, Cloverdale, CA 95425
TEL 707.669.0556 WEB tuellreynolds.com





CALDERA
CONSOLE TABLE

DIMENSIONS

53 W x 14.75 D x 32 H

MATERIALS

Cast bronze with blackened hot rolled steel base.

FINISH

Bronze components available in Light, Medium, Dark or Warm Silver (premium finish).
Clear lacquer top coat.

ITEM NUMBER

T-775

NOTES

Also available in cast aluminum with pewter patina.
Hot rolled steel has an inherent fire scale texture.



228 S. East Street, Cloverdale, CA 95425
TEL 707.669.0556 WEB tuellreynolds.com



CALDERA CONSOLE TABLE

Standard Plan Configurations:

A. 1 x 3 14.875 x 27



B. 1 x 4 14.875 x 36



C. 1 x 5 14.875 x 45



D. 1 x 6 14.875 x 54



E. 1 x 7 14.875 x 63



Additional Notes:
Cast bronze tiles are 9" x 14.875", typical, and frame is 1" x 2" iron channel. Custom configurations are also welcome. Height is easily customized.



CALDERA TILE
9" x 14.875"



TUELL AND REYNOLDS

228 S. East Street, Cloverdale, CA 95425
TEL 707.669.0556 WEB tuellreynolds.com



TAMALPAIS CONSOLE

DIMENSIONS

48.75 L x 11.75 D x 32 H
See diagram for other
configurations and sizes.

MATERIALS

Blackened steel base with cast
bronze tile top.

FINISH

Cast bronze tiles available in Light,
Medium, Dark, or Warm Silver (premium
finish). Clear lacquer top coat on
base, wax top coat on tiles standard.

ITEM NUMBER

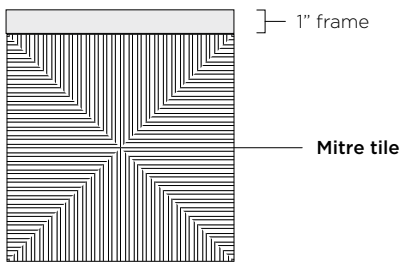
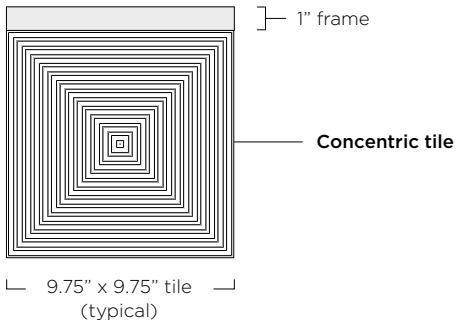
T - 155

NOTES

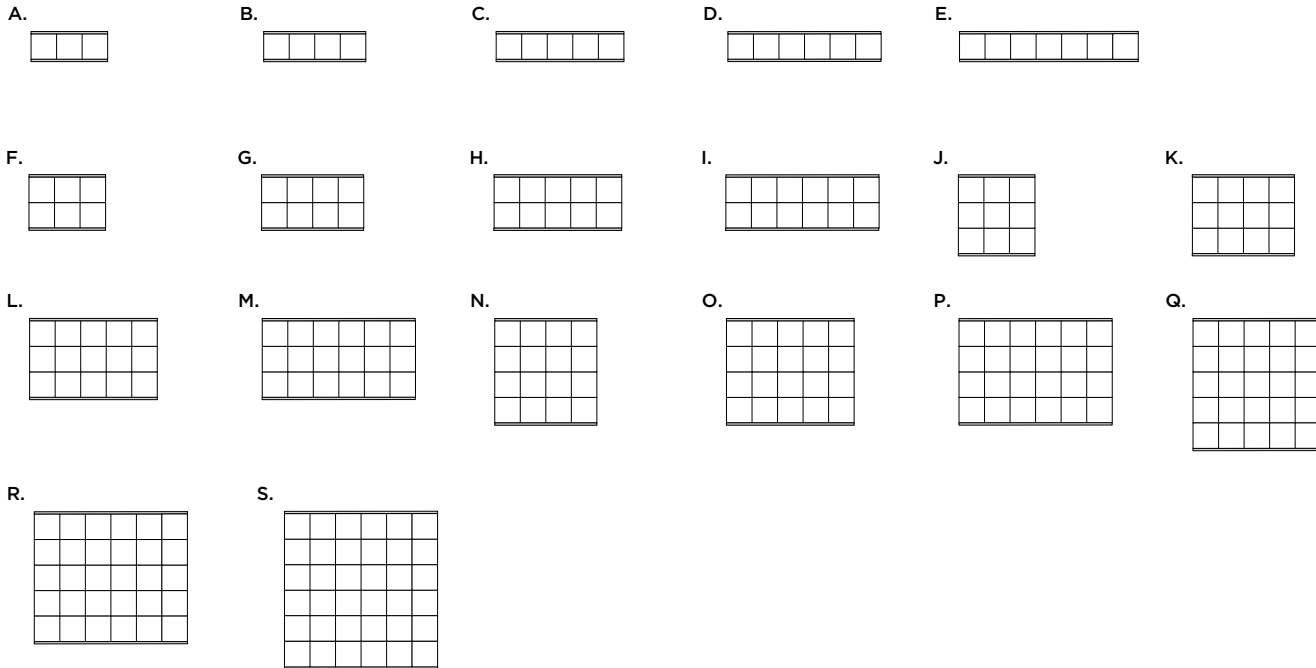
Tiles available in two patterns:
Mitre (shown) or Concentric.
Custom configurations welcome.



228 S. East Street, Cloverdale, CA 95425
TEL 707.669.0556 WEB tuellreynolds.com



	9.75"	19.5"	29.25"	39"	48.75"	58.5"
9.75"	1	2	3	4	5	6
19.5"	2					
29.25"	3					
39"	4					
48.75"	5					
58.5"	6					



TAMALPAIS TABLE - COCKTAIL/SIDE/CONSOLE

Standard Plan Configurations:

- A. 1 x 3 11.75 x 29.25
- B. 1 x 4 11.75 x 39
- C. 1 x 5 11.75 x 48.75
- D. 1 x 6 11.75 x 58.5
- E. 1 x 7 11.75 x 68.25
- F. 2 x 3 21.5 x 29.25
- G. 2 x 4 21.5 x 39
- H. 2 x 5 21.5 x 48.75
- I. 2 x 6 21.5 x 58.5
- J. 3 x 3 31.25 x 29.25
- K. 3 x 4 31.25 x 39
- L. 3 x 5 31.25 x 48.75
- M. 3 x 6 31.25 x 58.5
- N. 4 x 4 41 x 39
- O. 4 x 5 41 x 48.75
- P. 4 x 6 41 x 58.5
- Q. 5 x 5 50.75 x 48.75
- R. 5 x 6 50.75 x 58.5
- S. 6 x 6 60.5 x 58.5

Additional Notes:

Cast bronze tiles are 9 3/4" x 9 3/4", typical, and frame is 1" x 2" iron channel

Custom configurations are also welcome. 32" H is standard for consoles, 16" for cocktail tables although easily customized.



228 S. East Street, Cloverdale, CA 95425
TEL 707.669.0556 WEB tuellreynolds.com



TAMALPAIS
COCKTAIL TABLE

DIMENSIONS

48.75 L x 21.5 D x 16 H
See diagram for other configurations and sizes.

MATERIALS

Blackened steel base with cast bronze tile top.

FINISH

Bronze tiles available in Light, Medium, Dark, or Warm Silver (premium finish). Clear lacquered blackened steel base, wax top coat tiles standard.

ITEM NUMBER

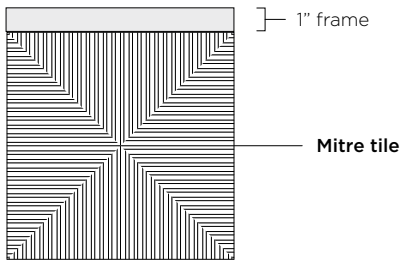
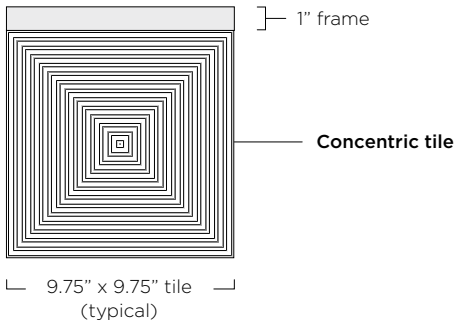
T - 150

NOTES

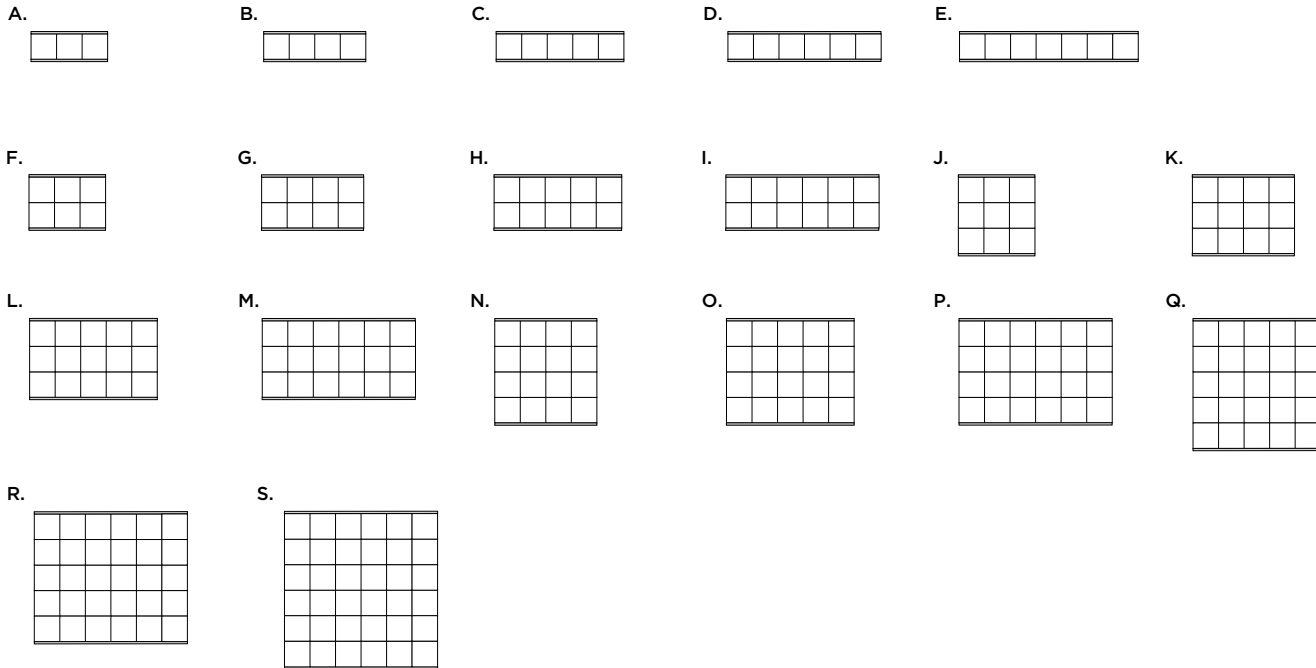
Tiles available in two patterns: Mitre (shown) or Concentric. Custom configurations welcome.



228 S. East Street, Cloverdale, CA 95425
TEL 707.669.0556 WEB tuellreynolds.com



	9.75"	19.5"	29.25"	39"	48.75"	58.5"
9.75"	1	2	3	4	5	6
19.5"	2					
29.25"	3					
39"	4					
48.75"	5					
58.5"	6					



TAMALPAIS TABLE - COCKTAIL/SIDE/CONSOLE

Standard Plan Configurations:

- A. 1 x 3 11.75 x 29.25
- B. 1 x 4 11.75 x 39
- C. 1 x 5 11.75 x 48.75
- D. 1 x 6 11.75 x 58.5
- E. 1 x 7 11.75 x 68.25
- F. 2 x 3 21.5 x 29.25
- G. 2 x 4 21.5 x 39
- H. 2 x 5 21.5 x 48.75
- I. 2 x 6 21.5 x 58.5
- J. 3 x 3 31.25 x 29.25
- K. 3 x 4 31.25 x 39
- L. 3 x 5 31.25 x 48.75
- M. 3 x 6 31.25 x 58.5
- N. 4 x 4 41 x 39
- O. 4 x 5 41 x 48.75
- P. 4 x 6 41 x 58.5
- Q. 5 x 5 50.75 x 48.75
- R. 5 x 6 50.75 x 58.5
- S. 6 x 6 60.5 x 58.5

Additional Notes:

Cast bronze tiles are 9 3/4" x 9 3/4", typical, and frame is 1" x 2" iron channel

Custom configurations are also welcome. 32" H is standard for consoles, 16" for cocktail tables although easily customized.



228 S. East Street, Cloverdale, CA 95425
TEL 707.669.0556 WEB tuellreynolds.com



CARMEL
COCKTAIL TABLE

DIMENSIONS

47 Diam x 16.5 H.

Also available in 61.5 Diam x 16.5 H

MATERIALS

Cast bronze top and base
with iron tie bar.

FINISH

Available in Light, Medium, Dark
or Warm Silver (premium finish).
Wax top coat standard.

ITEM NUMBER

T - 300





SHINJUKU
ACCENT TABLE

DIMENSIONS

10 Diam x 20 H

MATERIALS

Cast bronze top and blackened steel legs. Also available in an all bronze version.

FINISH

Bronze components available in Light, Medium, Dark or Warm Silver (premium finish).
Wax top coat standard.

ITEM NUMBER

ST - 150

NOTES

Available in 18" diameter -- see Toshima product page.



228 S. East Street, Cloverdale, CA 95425
TEL 707.669.0556 WEB tuellreynolds.com





SEA CLIFF
SIDE TABLE

DIMENSIONS

18 Diam x 22 H (shown)
22 Diameter version also available

MATERIALS

Cast bronze top with
architectural bronze base

FINISH

Available in Light, Medium, Dark
or Warm Silver (premium finish).
Wax top coat standard.

ITEM NUMBER

ST - 300

NOTE

This table is an architectural
bronze alloy and will not coordinate
perfectly with our other products
which are made with redder silicon
bronze in light or medium shades.
If in doubt ask us!

 **TUELL AND
REYNOLDS**

228 S. East Street, Cloverdale, CA 95425
TEL 707.669.0556 WEB tuellreynolds.com





HAKONE
ACCENT TABLE

DIMENSIONS

10 W x 10 D x 20 H

MATERIALS

Cast bronze top and blackened steel legs. Also available in an all bronze version.

FINISH

Bronze components available in Light, Medium, Dark or Warm Silver (premium finish).
Wax top coat standard.

ITEM NUMBER

ST - 200

NOTES

Tiles available in two patterns:
Concentric (shown) or Mitre.





SEQUOIA
TRAY SIDE TABLE

DIMENSIONS

23.5" x 16" tray
19.5" tall on stand

MATERIALS

Lost wax cast bronze tray
on optional architectural
bronze stand.

FINISH

Available in Light, Medium, Dark
or Warm Silver (premium finish).
Wax top coat standard.

ITEM NUMBER

ST - 250

NOTE

Tray top and stand can be ordered
in different finishes. Base is designed
to slip under chairs and sofas.

 **TUELL AND
REYNOLDS**

228 S. East Street, Cloverdale, CA 95425
TEL 707.669.0556 WEB tuellreynolds.com





CASCADE
ACCENT TABLE

DIMENSIONS

21 H +/-

Size is based on stone, height can be customized.

MATERIALS

Lost wax cast bronze base with petrified wood top.

FINISH

Available in Light, Medium, Dark or Warm Silver (premium finish). Wax top coat standard.

ITEM NUMBER

T - 600

NOTES

Each table is unique.





L A S S E N
S I D E T A B L E

D I M E N S I O N S

Shown in 26 Diam x 26.5 H
Size is based on stone, height
can be customized.

M A T E R I A L S

Lost wax cast bronze base with
petrified wood top.

F I N I S H

Available in Light, Medium, Dark
or Warm Silver (premium finish).
Wax top coat standard.

I T E M N U M B E R

T - 610

N O T E S

Each table is unique.





CATALINA
SIDE TABLE

DIMENSIONS

22 Diam x 24.5 H

MATERIALS

Cast bronze, architectural bronze and blackened steel.

FINISH

Bronze components available in Light, Medium, Dark or Warm Silver (premium finish).
Wax top coat standard.

ITEM NUMBER

T - 450

NOTE

This table is an architectural bronze alloy and will not coordinate perfectly with our other products which are made with redder silicon bronze in light or medium shades. If in doubt ask us!



228 S. East Street, Cloverdale, CA 95425
TEL 707.669.0556 WEB tuellreynolds.com





ROPPONGI
SIDE TABLE

DIMENSIONS

18 Diam x 22 H (shown)
22 Diameter version also available

MATERIALS

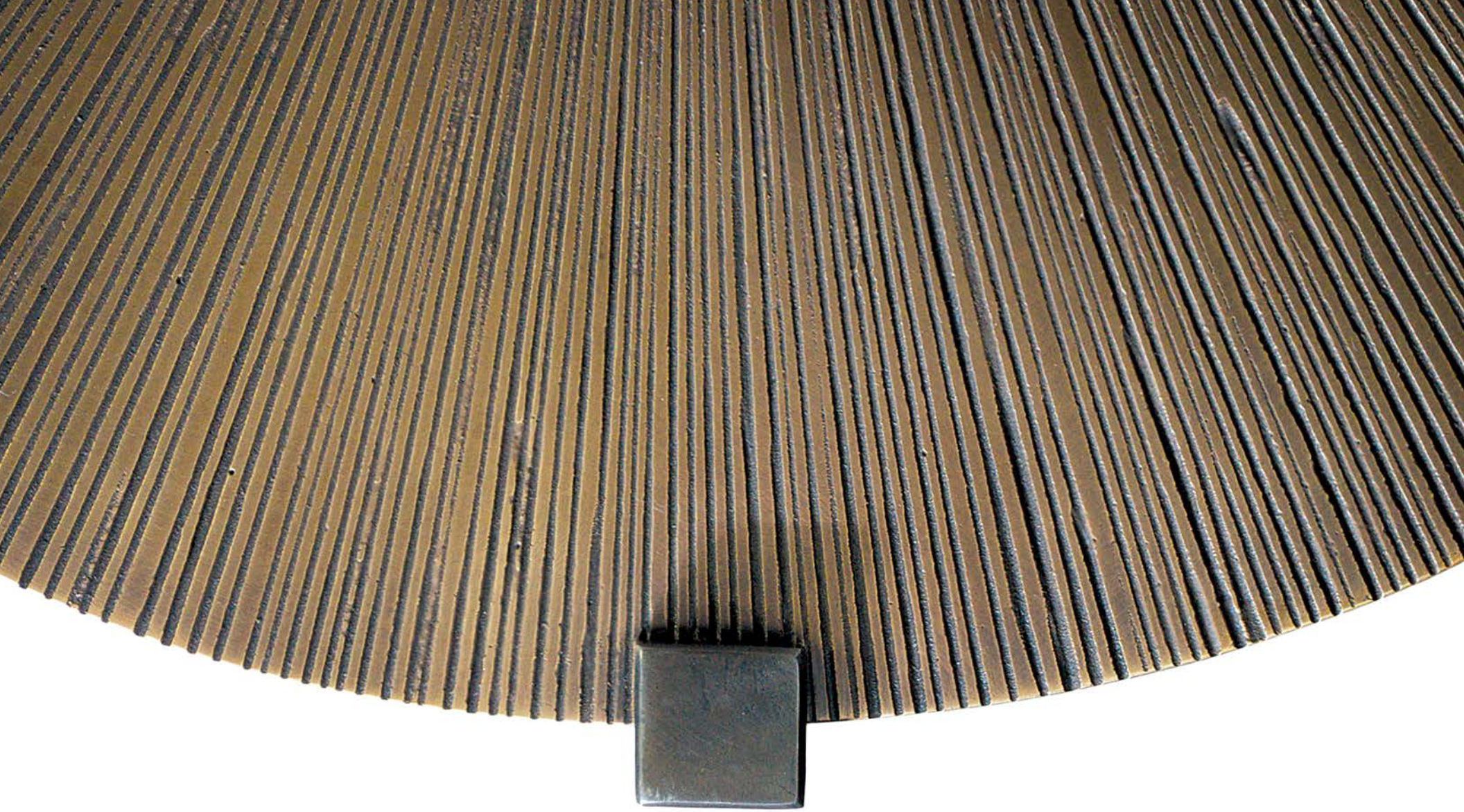
Cast bronze top and blackened steel legs. Also available in an all bronze version.

FINISH

Bronze components available in Light, Medium, Dark or Warm Silver (premium finish).
Wax top coat standard.

ITEM NUMBER

ST - 160





TOSHIMA
SIDE TABLE

DIMENSIONS

18 Diam x 22 H

MATERIALS

Cast bronze top and blackened steel legs. Also available in an all bronze version.

FINISH

Bronze components available in Light, Medium, Dark or Warm Silver (premium finish). Wax top coat standard.

ITEM NUMBER

ST-165

NOTES

Available in 10" diameter -- see Shinjuku product page.



228 S. East Street, Cloverdale, CA 95425
TEL 707.669.0556 WEB tuellreynolds.com





LOBRANO
SIDE TABLE

DIMENSIONS

Shown in 24 W x 30 L x 28 H

MATERIALS

Cast bronze with leather top

FINISH

Available in Light, Medium, Dark
or Warm Silver (premium finish).
Wax top coat standard.

ITEM NUMBER

T - 560

NOTES

COL 30" x 36"



ASILOMAR
ACCENT TABLE

DIMENSIONS

12 W x 12 D x 20 H

MATERIALS

Blackened steel with hand
brazed bronze edging.

FINISH

Bronze components available in
Light, Medium, Dark or Warm
Silver (premium finish).
Wax top coat standard.

ITEM NUMBER

ST-450 - single

ST-460 - pair

NOTES

Pairs of tables are mirrored.
See Asilomar side table for
configuration options.



228 S. East Street, Cloverdale, CA 95425
TEL 707.669.0556 WEB tuellreynolds.com





ASILOMAR SIDE TABLE

DIMENSIONS

15 W x 15 D x 22 H
See diagram for other configurations and sizes.

MATERIALS

Blackened steel with hand brazed bronze edging.

FINISH

Bronze components available in Light, Medium, Dark or Warm Silver (premium finish).
Wax top coat standard.

ITEM NUMBER

ST-410
ST-420 for mirrored pair

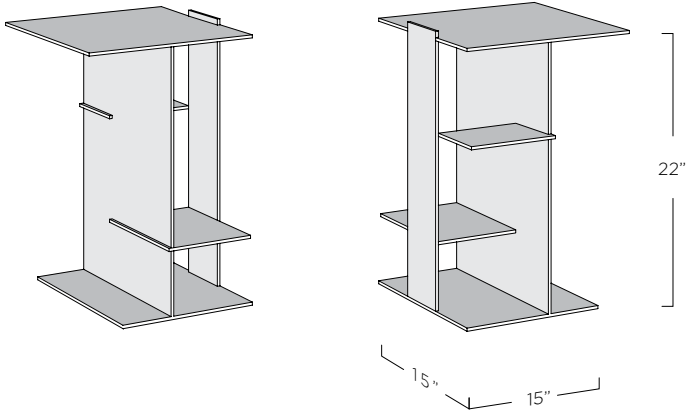
NOTES

Pairs of tables are mirrored.
Custom configurations are welcome.

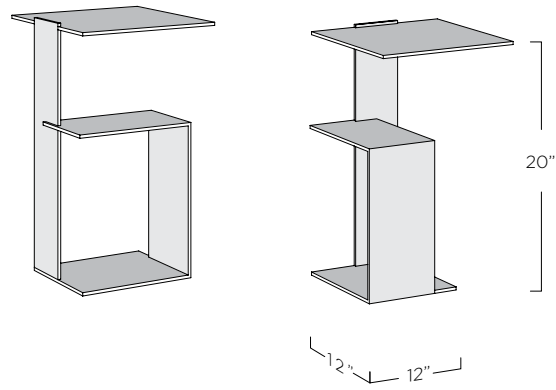


228 S. East Street, Cloverdale, CA 95425
TEL 707.669.0556 WEB tuellreynolds.com

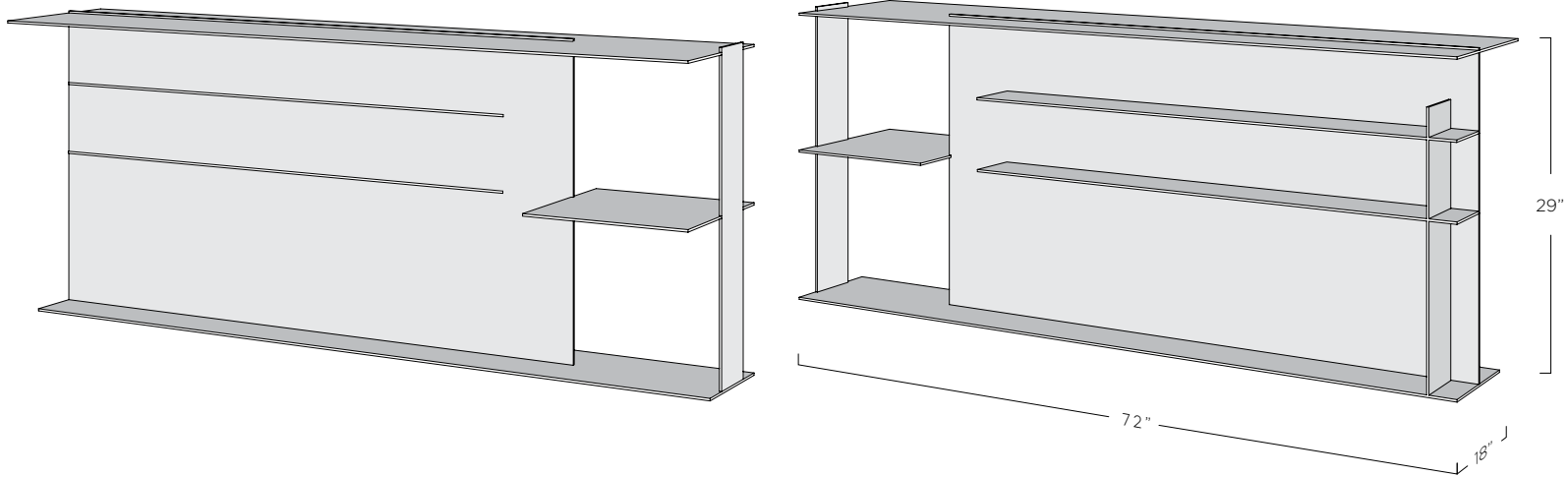
A. Tall Side Table



B. Accent Table



C. Console / Room Divider



ASILOMAR TABLES

Standard Plan Configurations:

A. Tall Side Table
15 W x 15 D x 22 H

B. Accent Table
12 W x 12 D x 20 H

C. Console / Room Divider
84 W x 18 D x 34 H

Custom configurations are also welcome.



228 S. East Street, Cloverdale, CA 95425
TEL 707.669.0556 WEB tuellreynolds.com



ASILOMAR CONSOLE

DIMENSIONS

72 W x 18 D x 29 H
See diagram for other configurations and sizes.

MATERIALS

Blackened steel with hand brazed bronze edging.

FINISH

Bronze components available in Light, Medium, Dark or Warm Silver (premium finish). Wax top coat standard. Bottom of console is lacquered.

ITEM NUMBER

T-430

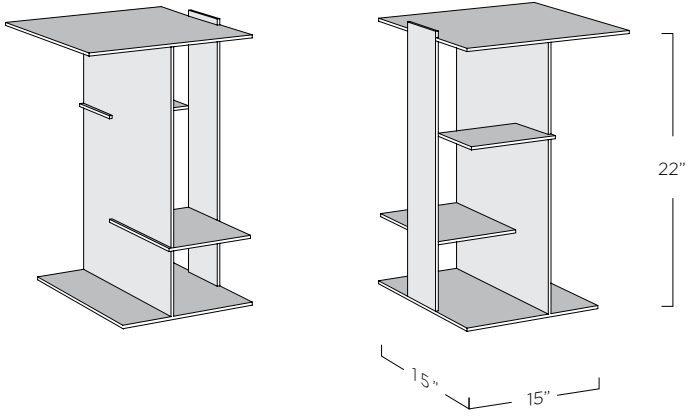
NOTES

Smaller customizations are possible, however this product is not available larger than shown.

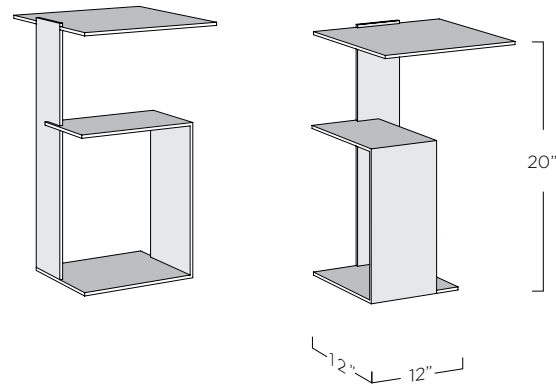


228 S. East Street, Cloverdale, CA 95425
TEL 707.669.0556 WEB tuellreynolds.com

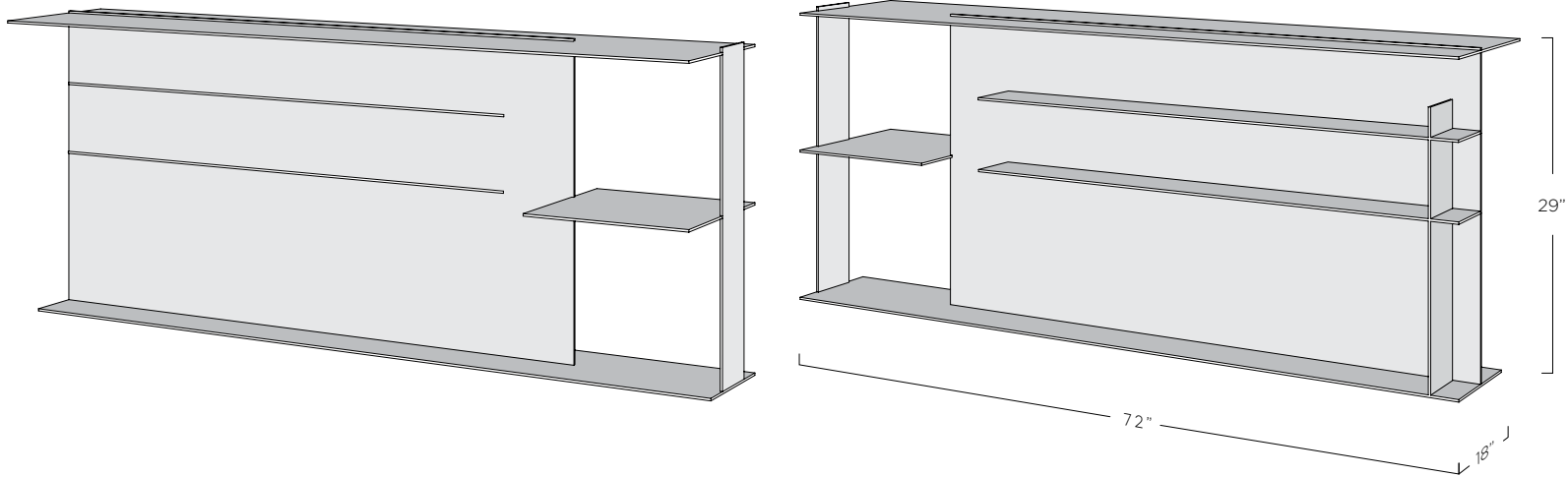
A. Tall Side Table



B. Accent Table



C. Console / Room Divider



ASILOMAR TABLES

Standard Plan Configurations:

A. Tall Side Table
15 W x 15 D x 22 H

B. Accent Table
12 W x 12 D x 20 H

C. Console / Room Divider
72 W x 18 D x 29 H

Custom configurations are also welcome.



228 S. East Street, Cloverdale, CA 95425
TEL 707.669.0556 WEB tuellreynolds.com



SHASTA
SIDE TABLE

DIMENSIONS

29 W x 11.5 D x 26 H as shown

MATERIALS

Blackened steel base with cast bronze tops.

FINISH

Bronze components available in Light, Medium, Dark or Warm Silver (premium finish).
Wax top coat standard.

ITEM NUMBER

ST-600





STRATA
ACCENT TABLE

DIMENSIONS

21 H x 10-15 Diameter
Size is based on stone, height
can be customized.

MATERIALS

Hand cut layered mild steel with
bronze accents. Natural agate
slab top.

FINISH

Bronze components available in
Light, Medium, Dark or Warm
Silver (premium finish).
Clear Lacquer top coat.

ITEM NUMBER

ST-520



228 S. East Street, Cloverdale, CA 95425
TEL 707.669.0556 WEB tuellreynolds.com





NICASIO
COCKTAIL TABLE

DIMENSIONS

Shown in 40 Diam round glass top
with 30 Diam x 17.5 H base.
See diagram for other
configurations and sizes.

MATERIALS

Cast bronze base with glass top.

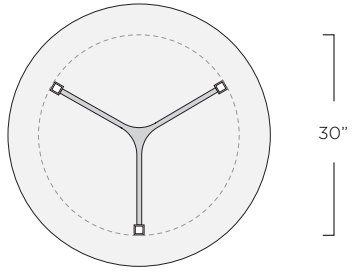
FINISH

Available in Light, Medium, Dark
or Warm Silver (premium finish).
Wax top coat standard.

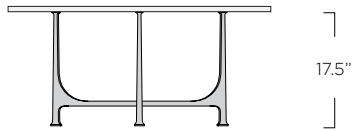
ITEM NUMBER

T - 420

A.

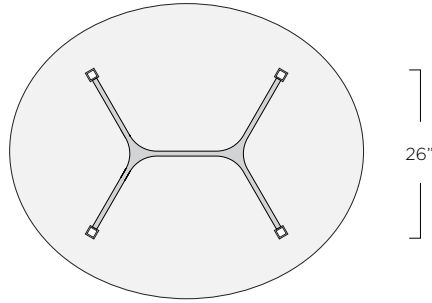


36 - 40" Diam
Round Glass

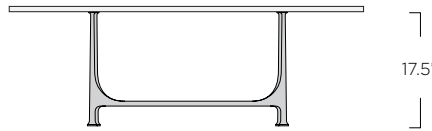


30"

B.

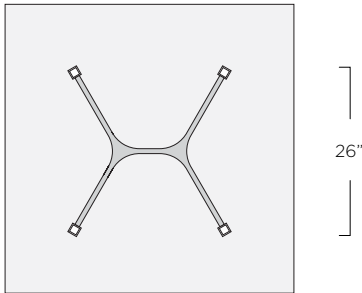


54" x 42"
Oval Glass

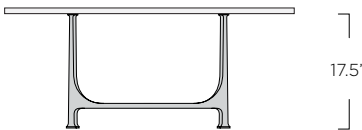


31"

C.

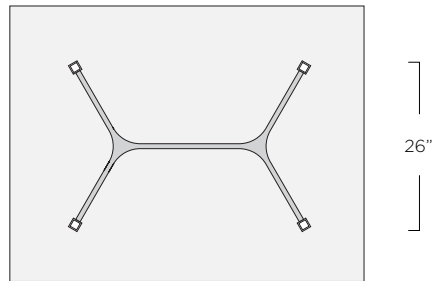


42" x 42"
Square Glass

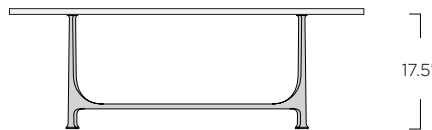


25"

D.



54" x 42"
Rectangular Glass



37"

NICASIO COCKTAIL TABLE

Standard Plan Configurations:

A. Round Top

1/2 inch thick round glass top with three legs.

B. Oval Top

1/2 inch thick oval glass top with four legs.

C. Square Top

1/2 inch thick square glass top with four legs.

D. Rectangular Top

1/2 inch thick rectangular glass top with four legs.

Additional Notes:

Custom configurations are also welcome.



228 S. East Street, Cloverdale, CA 95425
TEL 707.669.0556 WEB tuellreynolds.com



VIENNA
SIDE TABLE

DIMENSIONS

20 Diam x 22.75 H

MATERIALS

Hammered cast bronze top
on base of blackened iron with
bronze details.

FINISH

Bronze components available in
Light, Medium, Dark or Warm
Silver (premium finish).
Wax top coat standard.

ITEM NUMBER

ST - 620





TESSERA
SIDE TABLE

DIMENSIONS

Shown in 20 Diam x 24 H

MATERIALS

Hammered cast bronze top
on base of hot rolled iron with
bronze trim.

FINISH

Bronze components available in
Light, Medium, Dark or Warm
Silver (premium finish).
Wax top coat standard.

ITEM NUMBER

ST - 500





HAKONE 4 SQUARE
SIDE TABLE

DIMENSIONS

14 W x 14 D x 27 H

MATERIALS

Cast bronze top and blackened steel legs.

FINISH

Bronze components available in Light, Medium, Dark or Warm Silver (premium finish).
Wax top coat standard.

ITEM NUMBER

ST - 220

NOTES

Tiles available in concentric only.
Height can be customized.





TILDEN
COCKTAIL TABLE

DIMENSIONS

28 Diam x 16.5 H

MATERIALS

Bronze and iron.

FINISH

Bronze components available in Light, Medium, Dark or Warm Silver (premium finish).
Wax top coat standard.

ITEM NUMBER

T - 480



ELYTRON
TABLE LAMP

DIMENSIONS

Base: 10 W x 7 D

Total height with shade: 29.375

MATERIALS

Lost wax cast bronze.

SHADE

Laminated silk pongee.

15 W x 8.25 D x 14.375 H

FINISH

Available in Light, Medium, Dark,
or Warm Silver (premium finish)
Clear lacquer top coat.

ITEM NUMBER

TL - 400

NOTE

Uses 4 Type T-5 LED bulbs
(2 each side)

 **TUELL AND
REYNOLDS**

228 S. East Street, Cloverdale, CA 95425
TEL 707.669.0556 WEB tuellreynolds.com





HIVE
LINEAR SCNCE

DIMENSIONS

18 W x 44.5 H x 2.5 D as shown

MATERIALS

Hand formed brass sheet, mica,
steel backplate.

FINISH

Light Brass finish only.
Clear Lacquer top coat.

ITEM NUMBER

SC-305-P Mirrored pair 8 Hex Linear
See Back for more configurations.

NOTE

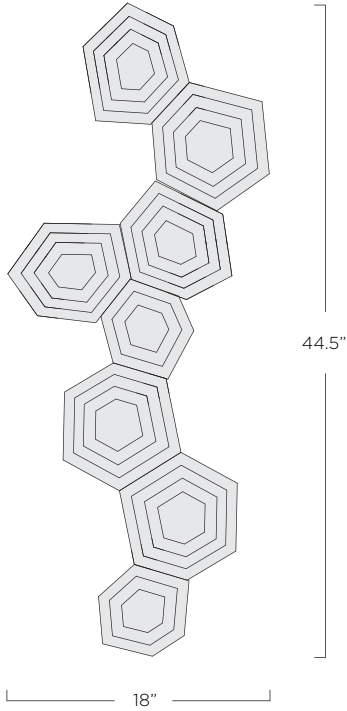
Uses COB LED light strips rated
for 30,000 hours and will require a
24v remote transformer. See back
of tearsheet for diagrams of stock
configurations - fully customizable
for formations integrated with your
architecture.

 **TUELL AND
REYNOLDS**

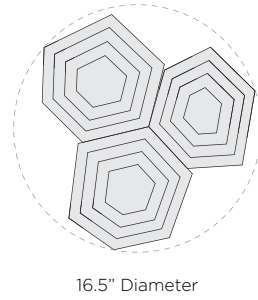
228 S. East Street, Cloverdale, CA 95425
TEL 707.669.0556 WEB tuellreynolds.com



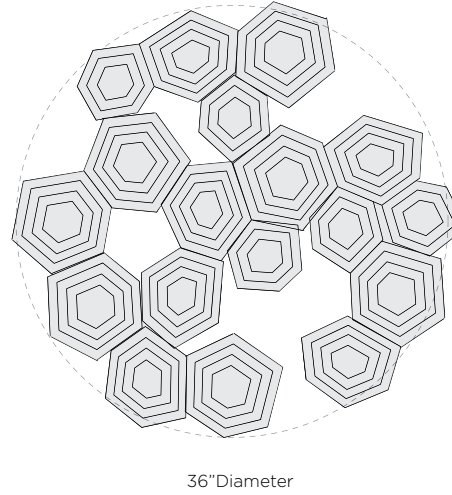
A. 8 Hex Linear Sconce/Flushmount



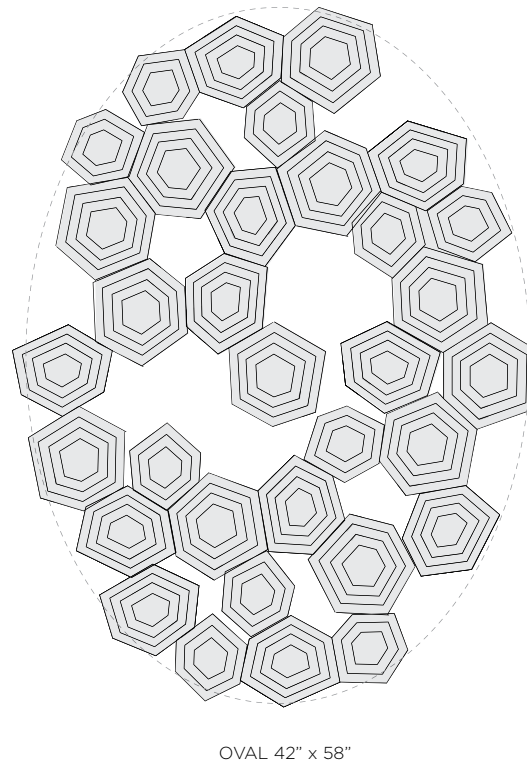
C. 3 Hex Round Sconce/Flushmount



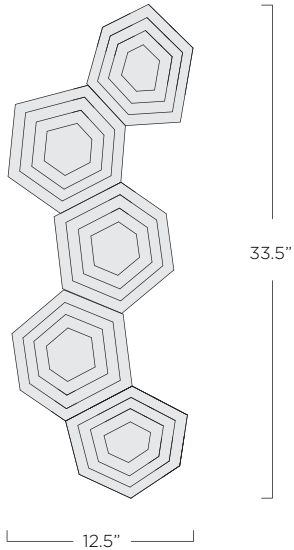
D. 18 Hex Round Sconce/Flushmount



E. 33 Hex Oval Sconce/Flushmount



B. 5 Hex Linear Sconce/Flushmount



HIVE SCONCE/FLUSHMOUNT

Standard Plan Configurations:

A. SC-305 - 8 Hex Linear
18 W x 44.5 H x 2.5 D

B. SC-315 - 5 Hex Linear
12.5 W x 33.5 H x 2.5 D

C. SC-320 - 3 Hex Round
16.5 Diameter x 2.5 D

D. SC-330 - 18 Hex Round
36 Diameter x 2.5 D

4. SC-340 - 33 Hex Oval
41 W x 58 H x 2.5 D

SC-305-P - When ordering a Mirrored pair of 8 Hex Linear

SC-315-P - When ordering a Mirrored pair of 5 Hex Linear

SC-320-P - When ordering a Mirrored pair of 3 Hex Round

Additional Notes:

Custom configurations are also welcome.



228 S. East Street, Cloverdale, CA 95425
TEL 707.669.0556 WEB tuellreynolds.com





EDO
LARGE TABLE LAMP

DIMENSIONS

Base 8.25 W x 4.5 D x 24 H
Total height with shade 32.5 H

MATERIALS

Lost wax cast bronze.

SHADE

Laminated Pongee Silk.
12.5 L x 8 D x 13 H

FINISH

As shown in multi-tone patina finish.
Also available in Light, Medium, Dark,
or Warm Silver (premium finish).
Clear lacquer top coat.

ITEM NUMBER

TL - 335

NOTES

Pairs will be mirrored unless otherwise
requested. Standard medium base
porcelain socket with on/off switch.
Bulb not supplied.

 **TUELL AND
REYNOLDS**

228 S. East Street, Cloverdale, CA 95425
TEL 707.669.0556 WEB tuellreynolds.com





EDO
SMALL TABLE LAMP

DIMENSIONS

Base 6 W x 3.5 D x 12 H
Total height with shade 19.75 H

MATERIALS

Lost wax cast bronze.

SHADE

Laminated Linen.
9.75 W x 5 D x 7.5 H

FINISH

As shown in multi-tone patina finish.
Also available in Light, Medium, Dark,
or Warm Silver (premium finish).
Clear lacquer top coat.

ITEM NUMBER

TL - 336

NOTES

Pairs will be mirrored unless otherwise
requested. Standard medium base
porcelain socket with on/off switch.
Bulb not supplied.

 **TUELL AND
REYNOLDS**

228 S. East Street, Cloverdale, CA 95425
TEL 707.669.0556 WEB tuellreynolds.com





NOUVEAU
FLOOR LAMP

DIMENSIONS

21 Diam x 69 OAH

MATERIALS

Lost Wax Cast Bronze.

SHADE

Hand painted Laminated Silk Pongee.
23 Diam x 14 H

FINISH

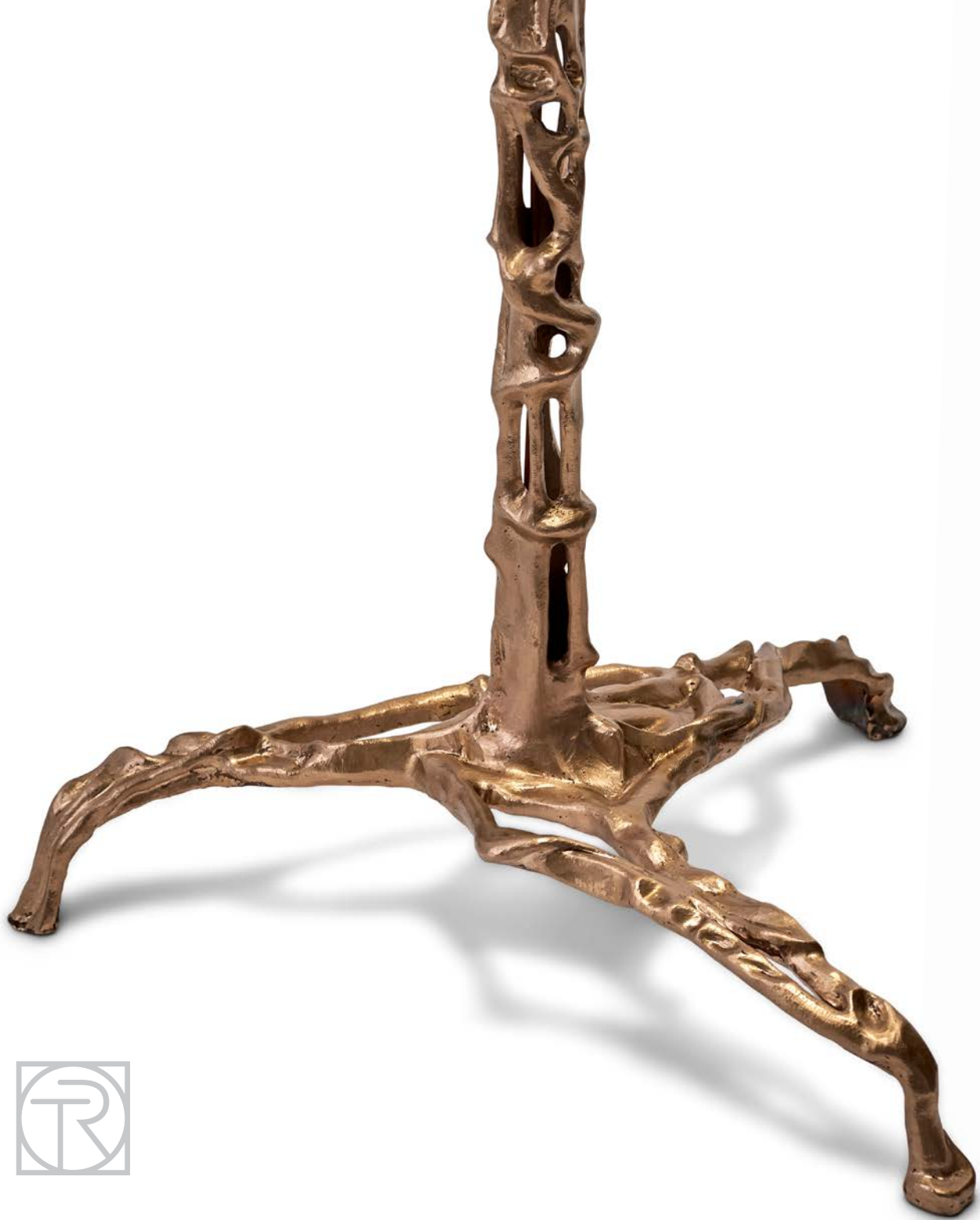
Available in Light , Medium, Dark
or Warm Silver (premium finish).
Clear lacquer top coat.

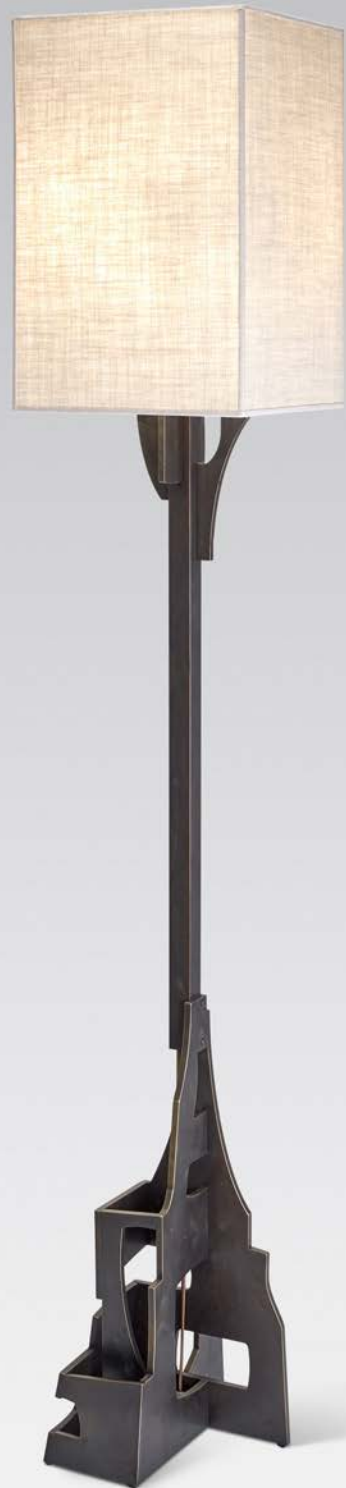
ITEM NUMBER

FL-600 - base and shade

NOTE

Sold as a limited edition of 50.
Single socket for medium base bulb





TAOS
FLOOR LAMP

DIMENSIONS

10 W x 12 D x 73 OAH

MATERIALS

Bronze 3/8" plate.

SHADE

Laminated Linen.

12 W x 12 D x 19 H

FINISH

Available in Light , Medium or Dark.

Clear lacquer top coat.

ITEM NUMBER

FL-510 - base and shade

NOTE

Double Socket for two medium
base bulbs





CARLSBAD
SCONCE

DIMENSIONS

22 OD x 3 Projection

MATERIALS

Cast Bronze.

FINISH

Available in Light, Medium, or Dark.
Clear lacquer top coat.

ITEM NUMBER

SC-460

NOTES

Fully dimmable AC LED module.
Also available in a smaller
16 Diameter size SC-465



228 S. East Street, Cloverdale, CA 95425
TEL 707.669.0556 WEB tuellreynolds.com





HOLLYWOOD TABLE LAMP

DIMENSIONS

14.25 W x 5.5 D x 22.25 H

MATERIALS

I-beam structural steel, cast bronze ornament and trim.

SHADE

Integral handmade brass shade.

FINISH

Available in Light, Medium or Dark. Clear lacquer top coat.

ITEM NUMBER

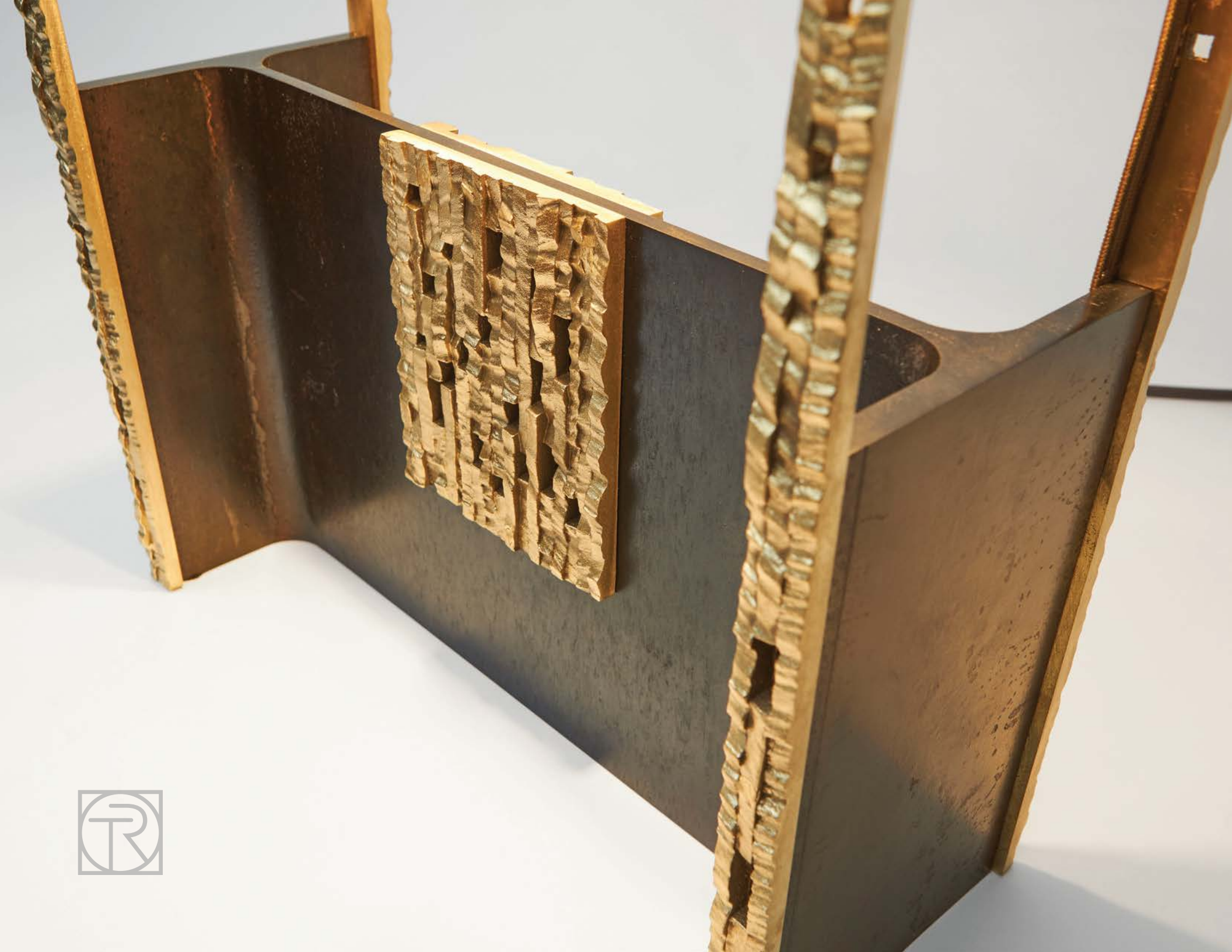
TL-500

NOTES

Fully dimmable LED module G8 base.

 **TUELL AND
REYNOLDS**

228 S. East Street, Cloverdale, CA 95425
TEL 707.669.0556 WEB tuellreynolds.com





TAOS
TABLE LAMP

DIMENSIONS

10 W x 12 D x 32 H to top of shade.

MATERIALS

Bronze 3/8" plate.

SHADE

Laminated silk.
8 W x 12.5 D x 13 H

FINISH

Available in Light, Medium or Dark.
Clear lacquer top coat.

ITEM NUMBER

TL-510

NOTES

Double socket for two medium
base bulbs.

 **TUELL AND
REYNOLDS**

228 S. East Street, Cloverdale, CA 95425
TEL 707.669.0556 WEB tuellreynolds.com





ALBION
TABLE LAMPS

DIMENSIONS

4.625 Sq Base x 32.25 H
to top of shade

MATERIALS

Lost wax cast bronze.

SHADE

Laminated silk.
10 W x 8 D x 12 H

FINISH

Available in Light, Medium, Dark
or Warm Silver (premium finish).
Clear lacquer top coat.

ITEM NUMBER

TL-320
TL-320 for mirrored pair

NOTES

Medium base 3 way socket.
Sold as a pair or singly.

 **TUELL AND
REYNOLDS**

228 S. East Street, Cloverdale, CA 95425
TEL 707.669.0556 WEB tuellreynolds.com





ALBION
SCONCE

DIMENSIONS

6.25 Diameter base x 28.25 H
Projection from wall: 8"

MATERIALS

Lost wax cast bronze.

SHADE

Shantung Silk 20.5 W x 10 H

FINISH

Available in Light, Medium, Dark
or Warm Silver (premium finish).
Clear lacquer top coat.

ITEM NUMBER

SC-457

NOTES

Medium base 3 way socket.



228 S. East Street, Cloverdale, CA 95425
TEL 707.669.0556 WEB tuellreynolds.com





LIMANTOUR
SCONCE

DIMENSIONS

4 W x 4 D x 26 H

MATERIALS

Architectural bronze.

FINISH

Available in Light or Dark finish only. Clear lacquer top coat.

ITEM NUMBER

SC-455

SC-455-P for mirrored pair

NOTES

Eight 40w equivalent LEDs.
Sold as "mirrored" pairs or singly.





GALAPAGOS CLUSTER PENDANT

DIMENSIONS

Shown with 3 shades - approx 22" Diameter with customizable drop length. Comprised of two small orbs approximately 8x10 and one large orb approximately 12x10.

MATERIALS

Hand formed bronze shells with blackened steel canopy.

FINISH

Bronze components available in Light, Medium, Dark, torch mark tortoise shell or Warm Silver (premium finish).
Clear lacquer top coat.

ITEM NUMBER

P - 130

NOTES

3 medium base dimmable sockets.



228 S. East Street, Cloverdale, CA 95425
TEL 707.669.0556 WEB tuellreynolds.com





GALAPAGOS CHANDELIER

DIMENSIONS

Shown with 7 shades - approx 36.5" Diameter with customizable drop length. Individual shades range from approximately 9" to 12.875" diameter.

MATERIALS

Hand formed bronze shells with blackened steel canopy.

FINISH

Bronze components available in Light, Medium, Dark, torch mark tortoise shell or Warm Silver (premium finish).
Clear lacquer top coat.

ITEM NUMBER

CH-360

NOTES

7 medium base dimmable sockets
Also sold in a 5 orb configuration.

 **TUELL AND
REYNOLDS**

228 S. East Street, Cloverdale, CA 95425
TEL 707.669.0556 WEB tuelloreynolds.com





GALAPAGOS PENDANT

DIMENSIONS

Approximately 12" Diameter with customizable drop length.

MATERIALS

Hand formed bronze shells with blackened steel canopy.

FINISH

Bronze components available in Light, Medium, Dark, torch mark tortoise shell or Warm Silver (premium finish).
Clear lacquer top coat.

ITEM NUMBER

P - 120

NOTES

1 medium base dimmable socket.



228 S. East Street, Cloverdale, CA 95425
TEL 707.669.0556 WEB tuellreynolds.com





BOLINAS
TABLE LAMP

DIMENSIONS

Base 7.5 W x 3 D x 19.5 H

Total height with shade 30 H

MATERIALS

Cast bronze.

SHADE

Oval laminated silk.

22 W x 15.5 D x 13.5H

FINISH

Available in Light, Medium, Dark
or Warm Silver (premium finish).

Wax top coat standard.

ITEM NUMBER

TL - 150



228 S. East Street, Cloverdale, CA 95425
TEL 707.669.0556 WEB tuellreynolds.com





ESTERO
TABLE LAMP

DIMENSIONS

Base 6.5 W x 3.5 D x 13.7 H
Total height with shade 22 H

MATERIALS

Cast bronze.

SHADE

Oval laminated linen.
15 W x 10.5 D x 9.5H

FINISH

Available in Light, Medium, Dark
or Warm Silver (premium finish).
Wax top coat standard.

ITEM NUMBER

TL - 100





MACKERRICHER
SCONCE

DIMENSIONS

Approximately 12 Diam x 15H x 5D

MATERIALS

Hand formed and engraved bronze disk, architectural bronze mount.

FINISH

Available in burnished bronze with hand-etching. Clear Lacquer top coat.

ITEM NUMBER

SC-454

NOTES

14 Watt LED 1085 Lumen Direct AC.





MANHATTAN
SCONCE

DIMENSIONS

4.75 W x 7.5 H backplate
Total height with shade 18 H

MATERIALS

Lost wax cast bronze.

SHADE

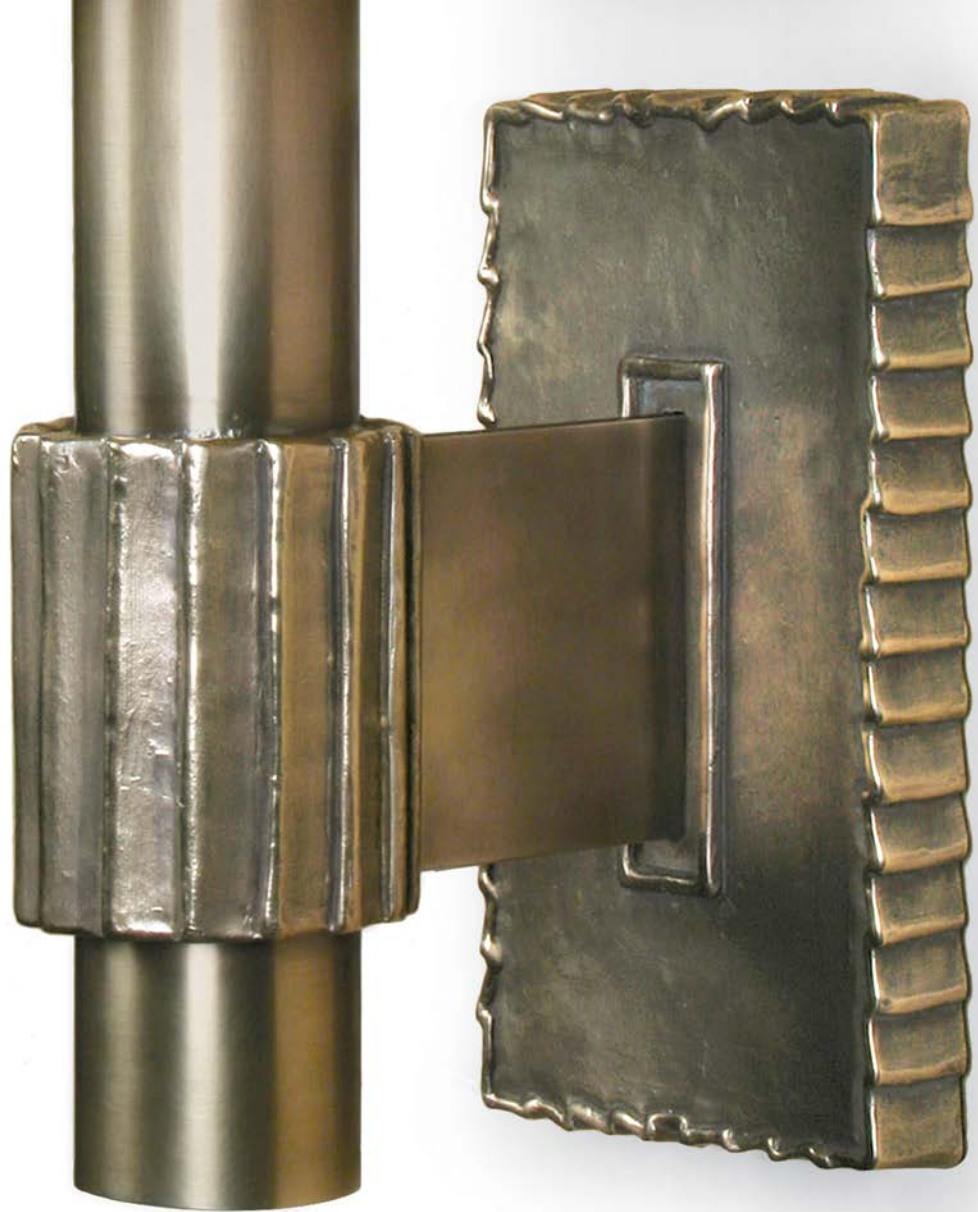
Laminated silk.

FINISH

Available in Light, Medium, Dark
or Warm Silver (premium finish).
Clear lacquer top coat.

ITEM NUMBER

SC - 100





MANHATTAN
CHANDELIER

DIMENSIONS

44 W X 26 D (standard)
See diagram for other configurations and sizes.

MATERIALS

Lost wax cast bronze and architectural bronze.

SHADE

Laminated silk.

FINISH

Available in Light, Medium, Dark or Warm Silver (premium finish).
Clear lacquer top coat.

ITEM NUMBER

CH - 100

MANHATTAN CHANDELIER

Standard Plan Configurations:

A. Three Arm

Three 120 degree arms arranged in a triangular plan

B. Four Arm 90

Four 90 degree arms arranged in a criss crossed square plan.

C. Six Arm Round

Six 60 degree arms arranged in a round plan.

D. Four Arm 60/120

Four 60/120 degree arms arranged in a rectangular plan

E. Eight Arm 90

Eight 90 degree arms arranged in a double module rectangular plan

F. Eight Arm 60/120

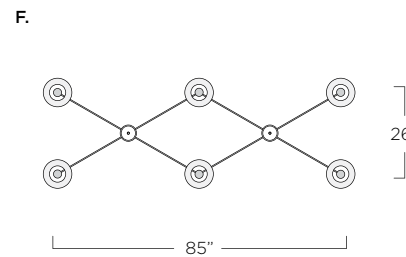
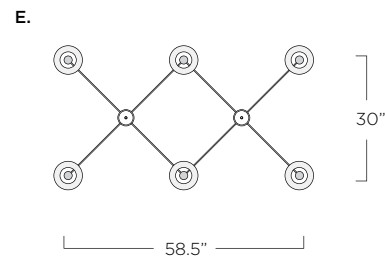
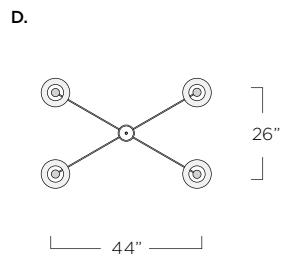
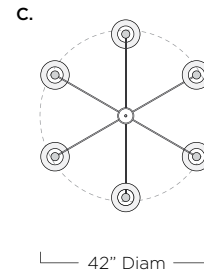
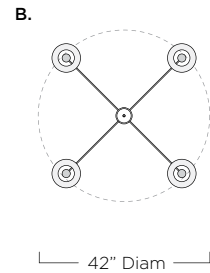
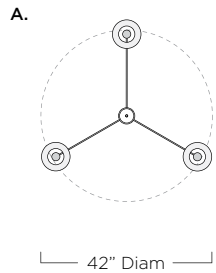
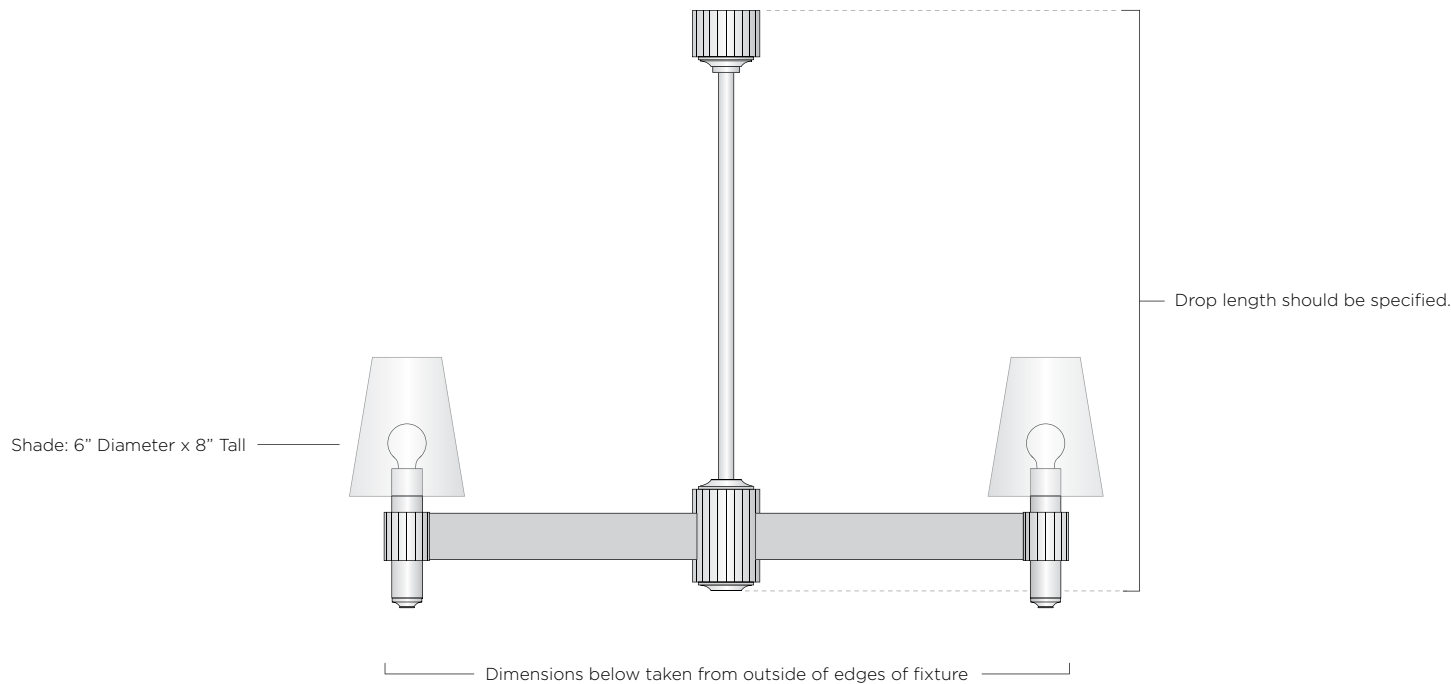
Eight 60/120 degree arms arranged in a rectangular plan.

Additional Notes:

Arm length can be specified to different lengths.

Drop Length can be specified to different lengths.

Custom configurations are also welcome.



228 S. East Street, Cloverdale, CA 95425
TEL 707.669.0556 WEB tuellreynolds.com



MENDOCINO
SCONCE

DIMENSIONS

4.75 W x 7.5 H backplate
Total height with shade 18 H

MATERIALS

Blackened steel and hand
hammered bronze.

SHADE

Laminated silk.

FINISH

Bronze components available in
Light, Medium, Dark or Warm
Silver (premium finish).
Clear lacquer top coat.

ITEM NUMBER

SC - 200

NOTES

Medium base socket.



228 S. East Street, Cloverdale, CA 95425
TEL 707.669.0556 WEB tuellreynolds.com





MENDOCINO CHANDELIER

DIMENSIONS

44 W X 26 D (standard)
See diagram for other configurations and sizes.

MATERIALS

Blackened steel and hand
hammered bronze.

SHADE

Laminated silk

FINISH

Bronze components available in
Light, Medium, Dark or Warm
Silver (premium finish).
Clear lacquer top coat.

ITEM NUMBER

CH - 200



228 S. East Street, Cloverdale, CA 95425
TEL 707.669.0556 WEB tuellreynolds.com

MENDOCINO CHANDELIER

Standard Plan Configurations:

A. Three Arm

Three 120 degree arms arranged in a triangular plan

B. Four Arm 90

Four 90 degree arms arranged in a criss crossed square plan.

C. Six Arm Round

Six 60 degree arms arranged in a round plan.

D. Four Arm 60/120

Four 60/120 degree arms arranged in a rectangular plan

E. Eight Arm 90

Eight 90 degree arms arranged in a double module rectangular plan

F. Eight Arm 60/120

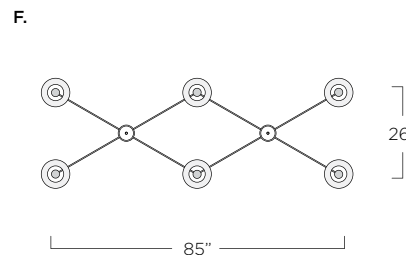
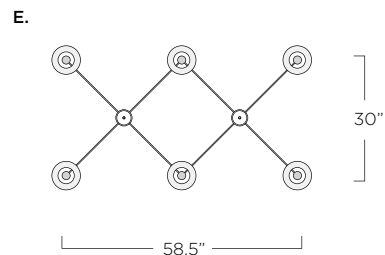
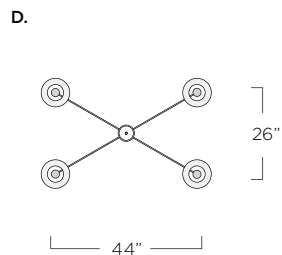
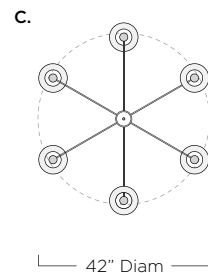
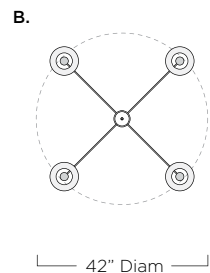
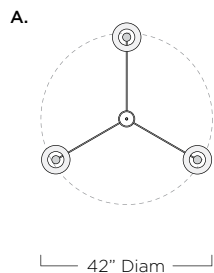
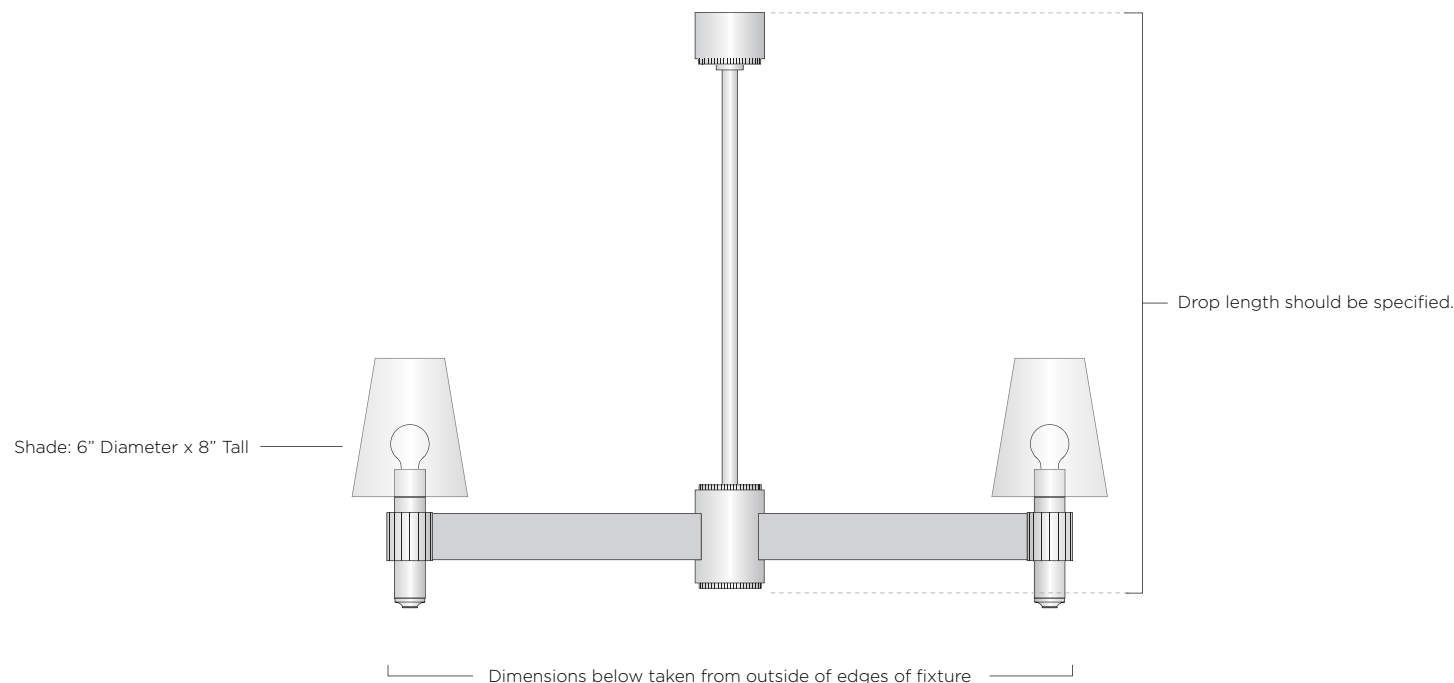
Eight 60/120 degree arms arranged in a rectangular plan.

Additional Notes:

Arm length can be specified to different lengths.

Drop Length can be specified to different lengths.

Custom configurations are also welcome.



228 S. East Street, Cloverdale, CA 95425
TEL 707.669.0556 WEB tuellreynolds.com



MONTANA
FIRE TOOL SET

DIMENSIONS

9.5 Diam x 31 H

MATERIALS

Cast bronze, architectural bronze
and blackened steel.

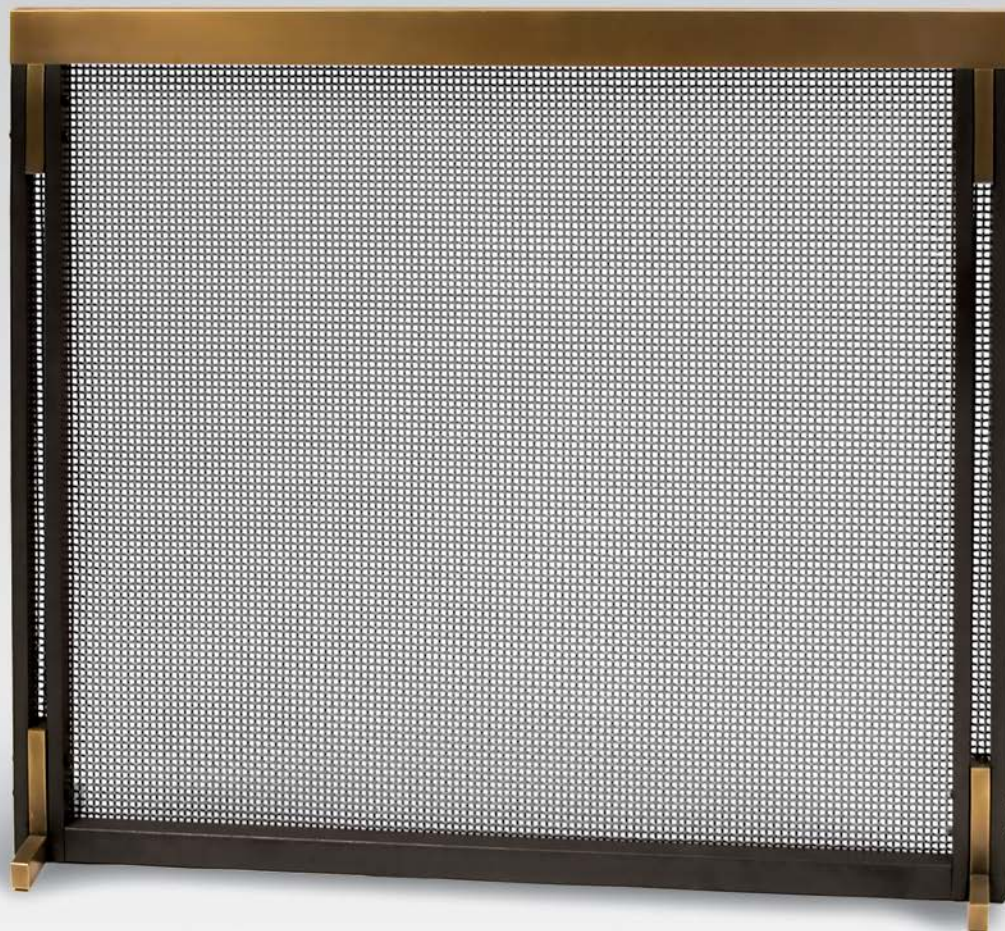
FINISH

Bronze components available in
Light, Medium, Dark or Warm
Silver (premium finish).
Wax top coat.

ITEM NUMBER

FPA - 600





VANCOUVER FIREPLACE SCREEN

DIMENSIONS

Made to order.

MATERIALS

Bronze and blackened steel.
Bronze mesh screen.

FINISH

Bronze components available in
Light, Medium, Dark or Warm
Silver (premium finish).
Wax top coat standard.

ITEM NUMBER

FPA - 700

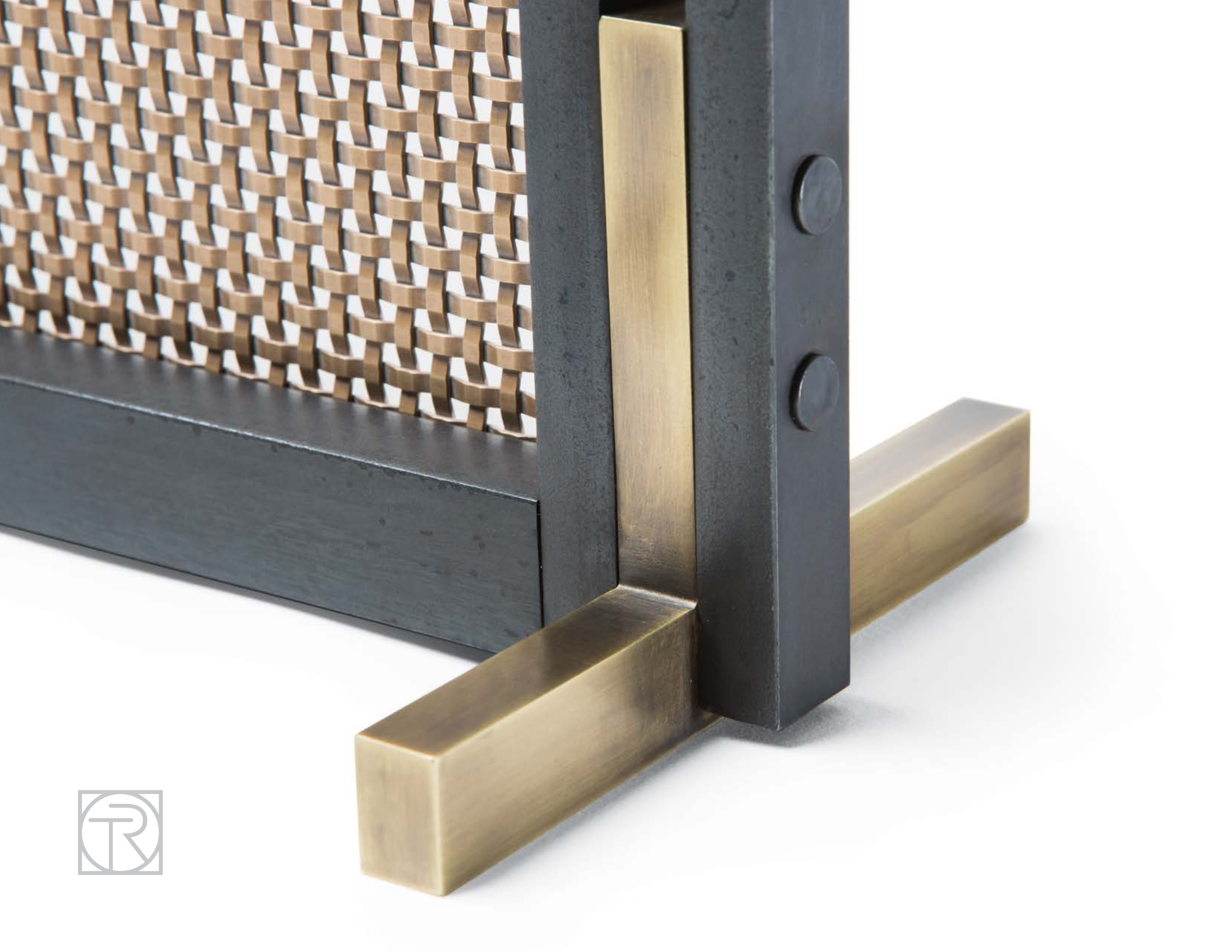
NOTES

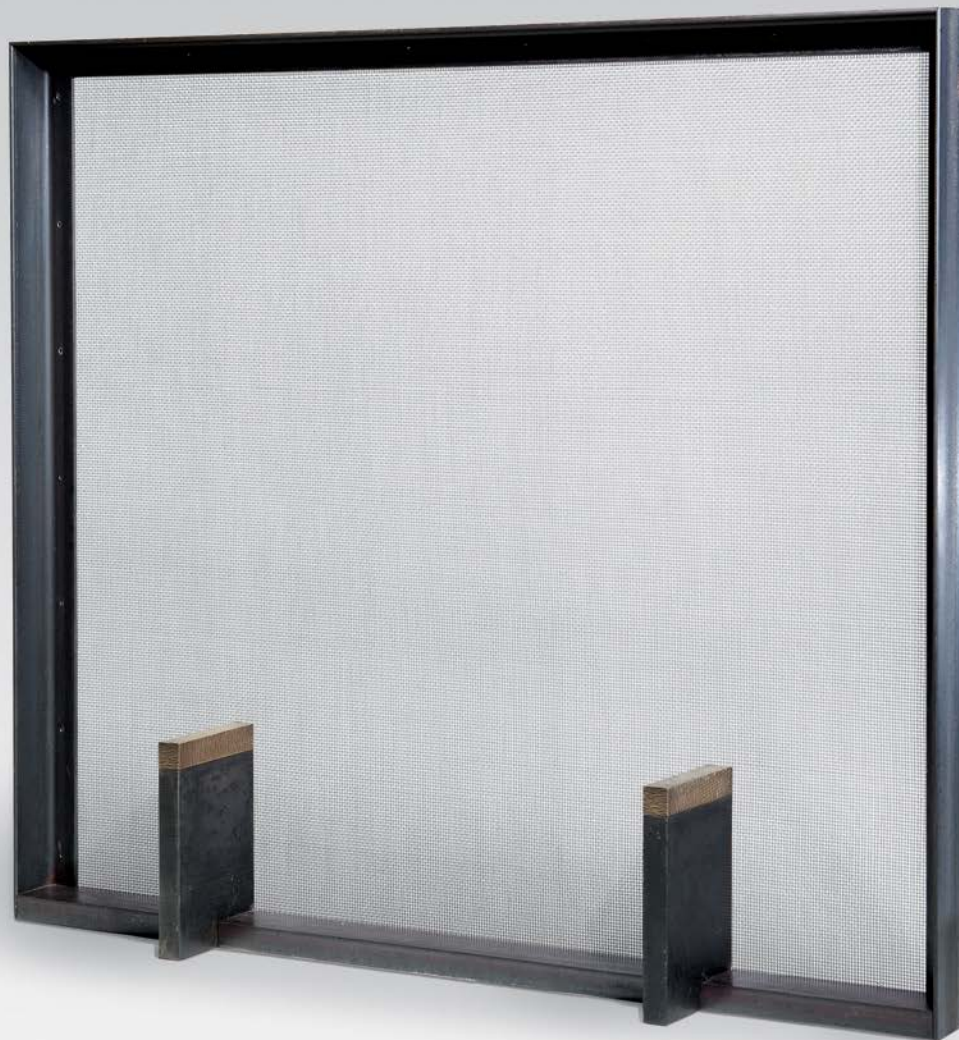
Bronze mesh can be ordered in a
different finish from other bronze
components.

Sized to fit any fireplace. See
measuring instruction sheet.

 **TUELL AND
REYNOLDS**

228 S. East Street, Cloverdale, CA 95425
TEL 707.669.0556 WEB tuellreynolds.com





KETCHUM
FIREPLACE SCREEN

DIMENSIONS

Made to order.

MATERIALS

Hand hammered bronze and blackened steel.

FINISH

Bronze components available in Light, Medium, Dark or Warm Silver (premium finish).
Wax top coat standard.

ITEM NUMBER

FPA - 850

NOTES

Sized to fit any fireplace. See measuring instruction sheet.



228 S. East Street, Cloverdale, CA 95425
TEL 707.669.0556 WEB tuellreynolds.com





ASPEN
FIREWOOD BASKET

DIMENSIONS

16.5 W x 18 D x 9 H

MATERIALS

Bronze and blackened steel.

FINISH

Bronze components available in Light, Medium, Dark or Warm Silver (premium finish).
Wax top coat.

ITEM NUMBER

FPA - 500





VERMONT ANDIRONS

DIMENSIONS

9.625 W X 20 D x 24 H as shown.
See measuring instructions for
custom configurations and sizes.

MATERIALS

Hand Hammered bronze and
blackened steel.

FINISH

Bronze components available in
Light, Medium, Dark or Warm
Silver (premium finish).
Wax top coat standard.

ITEM NUMBER

FPA - 300

NOTES

Andirons can be customized.
See measuring instructions.



228 S. East Street, Cloverdale, CA 95425
TEL 707.669.0556 WEB tuellreynolds.com





STRATA ANDIRONS

DIMENSIONS

10 W x 21 D x 21.75 H

MATERIALS

Hand cut bronze and steel with
blackend steel bar.

FINISH

Bronze components available in
Light, Medium, Dark or Warm
Silver (premium finish).
Wax top coat standard.

ITEM NUMBER

FPA - 251

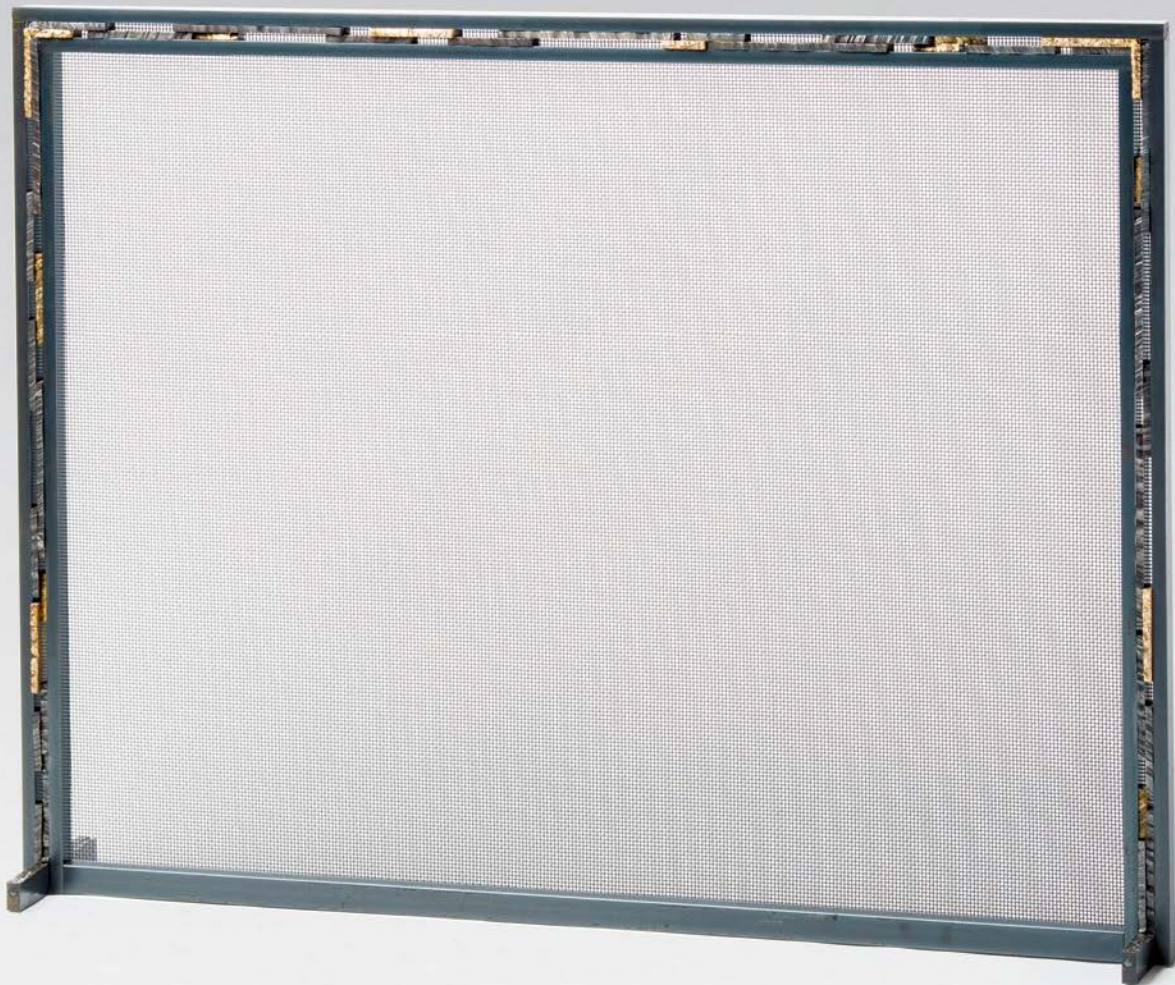
NOTES

Andirons can be customized.
See measuring instructions.



228 S. East Street, Cloverdale, CA 95425
TEL 707.669.0556 WEB tuellreynolds.com





STRATA FIREPLACE SCREEN

DIMENSIONS

Made to order.

MATERIALS

Hand cut bronze and steel with blackend steel bar. Steel mesh screen.

FINISH

Blackened steel.

Bronze components available in Light, Medium, Dark or Warm Silver (premium finish).

Wax top coat standard.

ITEM NUMBER

FPA - 910

NOTES

Sized to fit any fireplace. See measuring instruction sheet.



228 S. East Street, Cloverdale, CA 95425
TEL 707.669.0556 WEB tuellreynolds.com





STRATA FIRE TOOL SET

DIMENSIONS

Tools: 30.25 Long

Stand: 9.5 W x 6.5 D x 31.625 H

MATERIALS

Hand cut bronze and steel with blackened steel bar.

FINISH

Bronze components available in Light, Medium, Dark or Warm Silver (premium finish).
Wax top coat standard.

ITEM NUMBER

FPA - 254



228 S. East Street, Cloverdale, CA 95425
TEL 707.669.0556 WEB tuellreynolds.com





MORAGA
FIREPLACE SCREEN

DIMENSIONS

Made to order.

MATERIALS

Bronze and blackened steel with steel mesh screen.

FINISH

Bronze components available in Light, Medium, Dark or Warm Silver (premium finish).
Wax top coat standard.

ITEM NUMBER

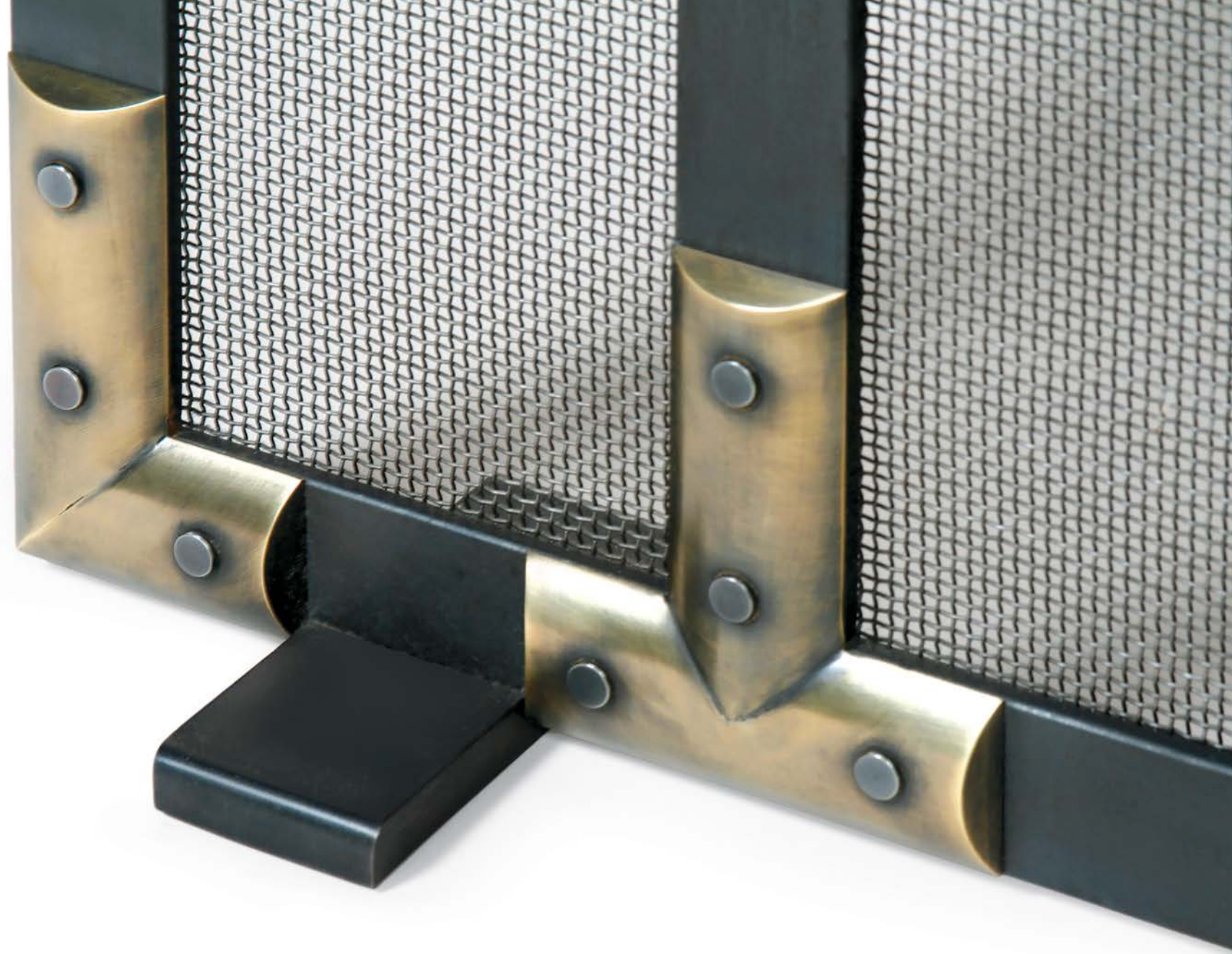
FPA - 750

NOTES

Sized to fit any fireplace. See measuring instruction sheet.



228 S. East Street, Cloverdale, CA 95425
TEL 707.669.0556 WEB tuellreynolds.com





TELLURIDE ANDIRONS

DIMENSIONS

11 W X 20 D x 17.5 H

MATERIALS

Cast bronze and blackened steel.

FINISH

Bronze components available in Light, Medium, Dark or Warm Silver (premium finish).
Wax top coat standard.

ITEM NUMBER

FPA - 400

NOTES

Andirons can be customized.
See measuring instructions.





MONTREAL ANDIRONS

DIMENSIONS

10.5 W X 20 D x 20.5 H
See diagram for custom
configurations and sizes.

MATERIALS

Cast bronze and blackened steel.

FINISH

Bronze components available in
Light, Medium, Dark or Warm
Silver (premium finish).
Wax top coat standard.

ITEM NUMBER

FPA - 100

NOTES

Andirons can be customized.
See measuring instructions.



228 S. East Street, Cloverdale, CA 95425
TEL 707.669.0556 WEB tuellreynolds.com





WOODSIDE FIRE TOOL SET

DIMENSIONS

Tools: 30.25 Long

Stand: 9.5 W x 6 D x 31 H

MATERIALS

Blackened steel with bronze handles.

FINISH

Bronze components available in Light, Medium, Dark or Warm Silver (premium finish).
Wax top coat.

ITEM NUMBER

FPA - 625





QUÉBEC ANDIRONS

DIMENSIONS

10.25 W X 20 D x 10.5 H as shown.

MATERIALS

Cast bronze and blackened steel.

FINISH

Bronze components available in Light, Medium, Dark or Warm Silver (premium finish).
Wax top coat standard.

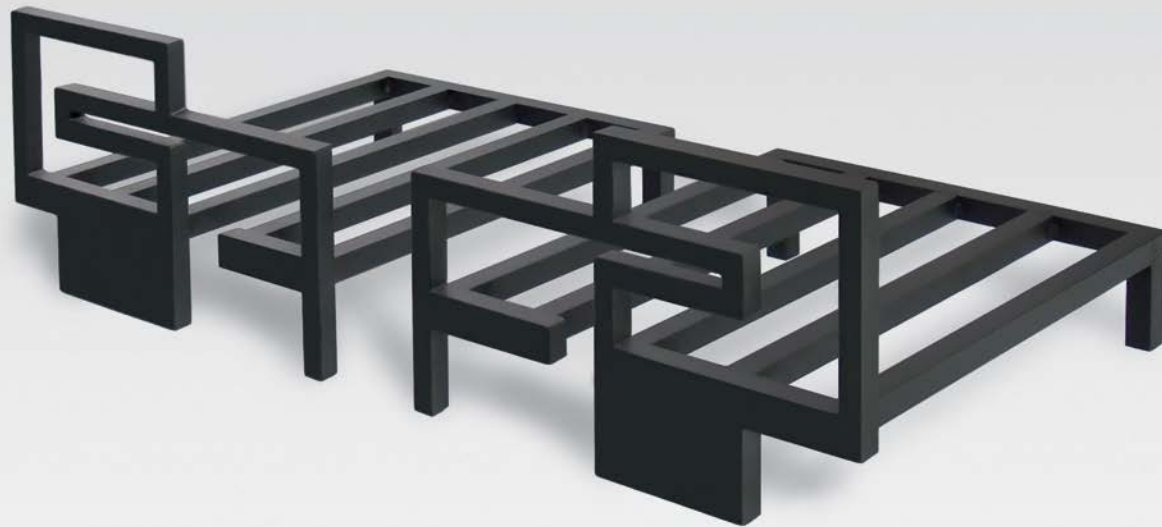
ITEM NUMBER

FPA - 150

NOTES

Andirons can be customized.
See measuring instructions.





PASADENA
FIREGRATE

DIMENSIONS

27.5 W x 15 D x 9 H

MATERIALS

Blackened Steel

FINISH

Wax top coat.

ITEM NUMBER

FPA - 350

NOTES

Sizes can be customized to fit any fireplace. See measuring instructions.



228 S. East Street, Cloverdale, CA 95425
TEL 707.669.0556 WEB tuellreynolds.com





TETON
FIRE TOOL SET

DIMENSIONS

9.5" diam base x 37.75" tall

MATERIALS

Cast bronze, architectural bronze,
and blackened steel.

FINISH

Bronze components available in
Light, Medium, Dark or Warm
Silver (premium finish).
Wax top coat.

ITEM NUMBER

FPA - 650





ASILOMAR
FIREWOOD BASKET

DIMENSIONS

20.5 OA Diameter x 12.5 H

MATERIALS

Bronze and Blackened steel..

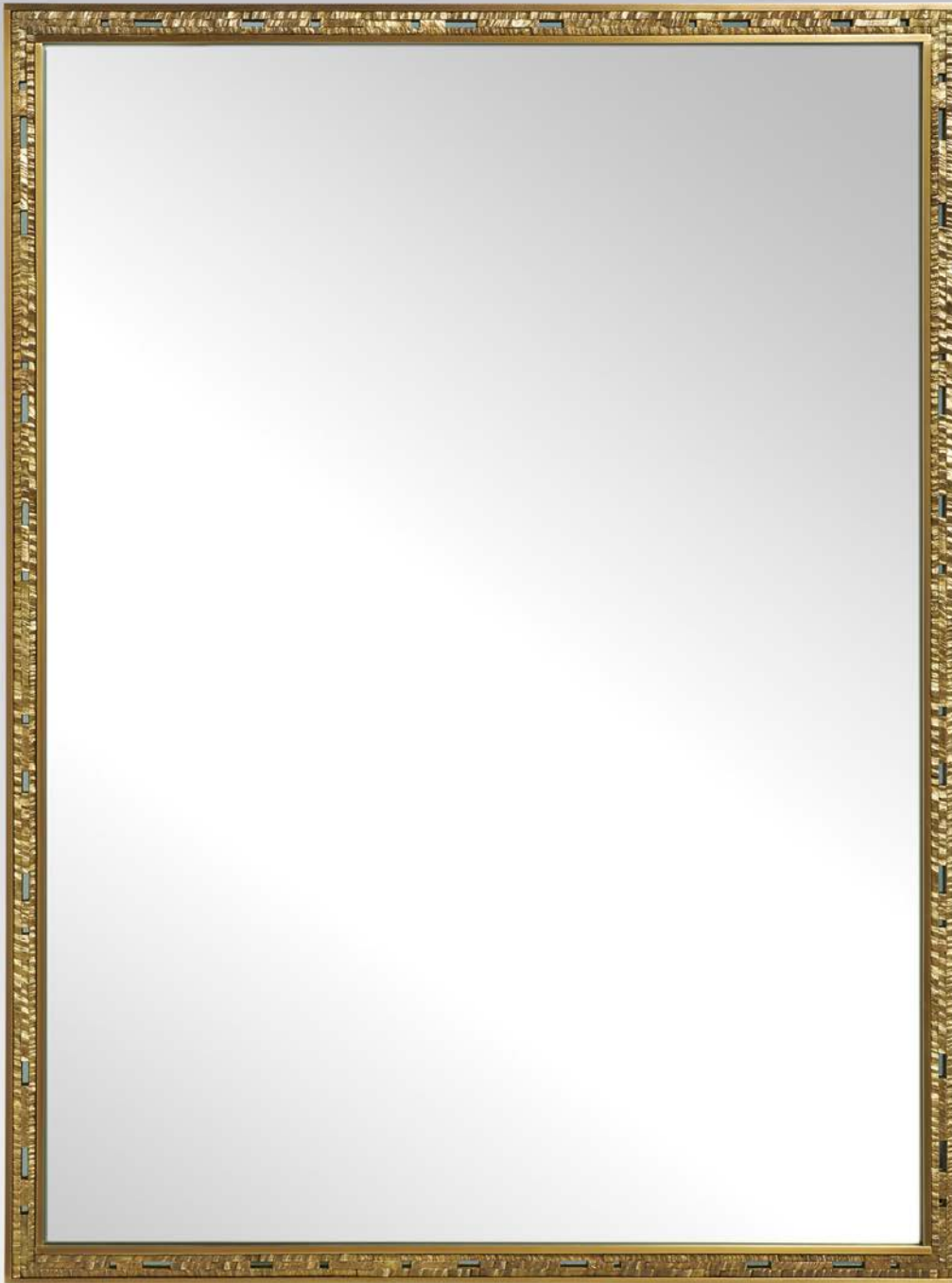
FINISH

Bronze components available in
Light, Medium, Dark or Warm
Silver (premium finish).
Wax top coat.

ITEM NUMBER

FPA - 253





LAMINA MIRROR

DIMENSIONS

30 W x 40 H x 1.5 D as shown
Frame width is 1.25"
Custom sizes are available.

MATERIALS

Cast bronze and architectural
bronze.

FINISH

Available in Light, Medium, Dark
or Warm Silver (premium finish).
Clear lacquer top coat.

ITEM NUMBER

MF-650
MF-651 with stone inlay.

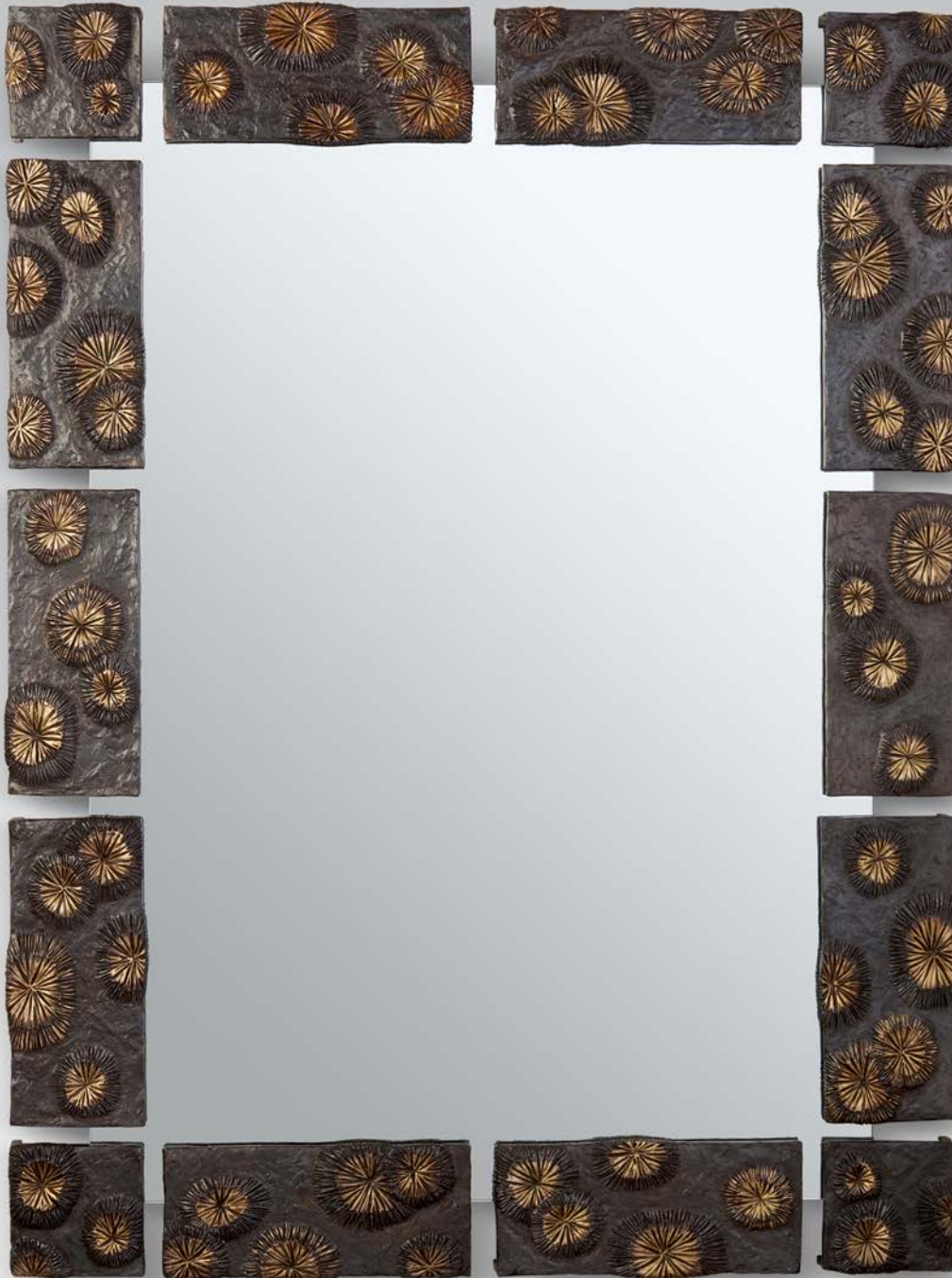
NOTE

Also available with stone inlay
option: tigers eye, lapis, howlite,
or sodalite.



228 S. East Street, Cloverdale, CA 95425
TEL 707.669.0556 WEB tuellreynolds.com





EDO
MIRROR

DIMENSIONS

33.5 W x 1.5 D x 44.5 H as shown.
Frame width is 3".

MATERIALS

Lost wax cast bronze.

FINISH

As shown in multi-tone patina finish.
Also available in Light, Medium, Dark,
or Warm Silver (premium finish).
Clear lacquer top coat.

ITEM NUMBER

MF-320

NOTES

Custom sizes are possible based upon
the module of 11.75.

 **TUELL AND
REYNOLDS**

228 S. East Street, Cloverdale, CA 95425
TEL 707.669.0556 WEB tuellreynolds.com





MOAB
MIRROR

DIMENSIONS

28.75 W x 1.5 D x 43.75 H
Frame width is 4.75".

MATERIALS

Lost wax cast bronze from
hand-torn and layered paper.

FINISH

As shown in multi-tone patina finish.
Also available in Light, Medium, Dark,
or Warm Silver (premium finish).
Clear lacquer top coat.

ITEM NUMBER

MF-310



228 S. East Street, Cloverdale, CA 95425
TEL 707.669.0556 WEB tuellreynolds.com





ANNADEL
MIRROR

DIMENSIONS

36 Diameter x 2 D
Frame width is 1.5"

MATERIALS

Cast bronze with hand cut facet texture.

FINISH

Available in Light, Medium, Dark or Warm Silver (premium finish).
Clear lacquer top coat.

ITEM NUMBER

MF-900
Also available in 48" Diam.

 **TUELL AND
REYNOLDS**

228 S. East Street, Cloverdale, CA 95425
TEL 707.669.0556 WEB tuellreynolds.com





ANNADEL
RECTANGULAR MIRROR

DIMENSIONS

30 W x 2 D x 40 H as shown
Frame width is 1.5"
Custom sizes are available

MATERIALS

Cast bronze with hand cut facet texture.

FINISH

Available in Light, Medium, Dark or Warm Silver (premium finish).
Clear lacquer top coat.

ITEM NUMBER

MF-902

 **TUELL AND
REYNOLDS**

228 S. East Street, Cloverdale, CA 95425
TEL 707.669.0556 WEB tuellreynolds.com





JENNER
MIRROR

DIMENSIONS

35.5 W x 2 D x 51 H

MATERIALS

Lost wax cast bronze from real driftwood.

FINISH

Standard finish shown is multi-color patina with subtle ceruse. Also available in Light, Medium, Dark or Warm Silver (premium finish). Clear lacquer top coat.

ITEM NUMBER

MF-210

NOTES

Custom sizes are available as bespoke commissions

 **TUELL AND
REYNOLDS**

228 S. East Street, Cloverdale, CA 95425
TEL 707.669.0556 WEB tuellreynolds.com





MELROSE
MIRROR

DIMENSIONS

32.5 W x 2.5 D x 58.5 H

MATERIALS

Architectural bronze.

FINISH

Available in Light, Medium or Dark.
Warm Silver not available.
Clear lacquer top coat.

ITEM NUMBER

MF-220

NOTES

Custom sizes are available as bespoke commissions.





DENALI
MIRROR

DIMENSIONS

36 W x 2.5 D x 42 H as shown.
(frame is 2.5" wide x 2.5 deep).
Custom sizes are available.

MATERIALS

Architectural bronze with water
buffalo horn and bronze inlay.

FINISH

Bronze components available in
Light, Medium, Dark or Warm
Silver (premium finish).
Clear lacquer top coat.

ITEM NUMBER

MF - 400





STRATA
MIRROR

DIMENSIONS

30 W x 42 H x 2 D as shown
Frame width is 1.25"
Custom sizes are available.

MATERIALS

Hand cut layered mild steel with
bronze accents.

FINISH

Bronze components available in
Light, Medium, Dark or Warm
Silver (premium finish).
Clear lacquer top coat.

ITEM NUMBER

MF-600



228 S. East Street, Cloverdale, CA 95425
TEL 707.669.0556 WEB tuellreynolds.com





POTRERO
MIRROR

DIMENSIONS

36 W x 42 H x 2.5 D as shown
Custom sizes are available.

MATERIALS

Architectural bronze with cast
bronze inlay.

FINISH

Bronze components available in
Light, Medium, Dark or Warm
Silver (premium finish).
Clear lacquer top coat.

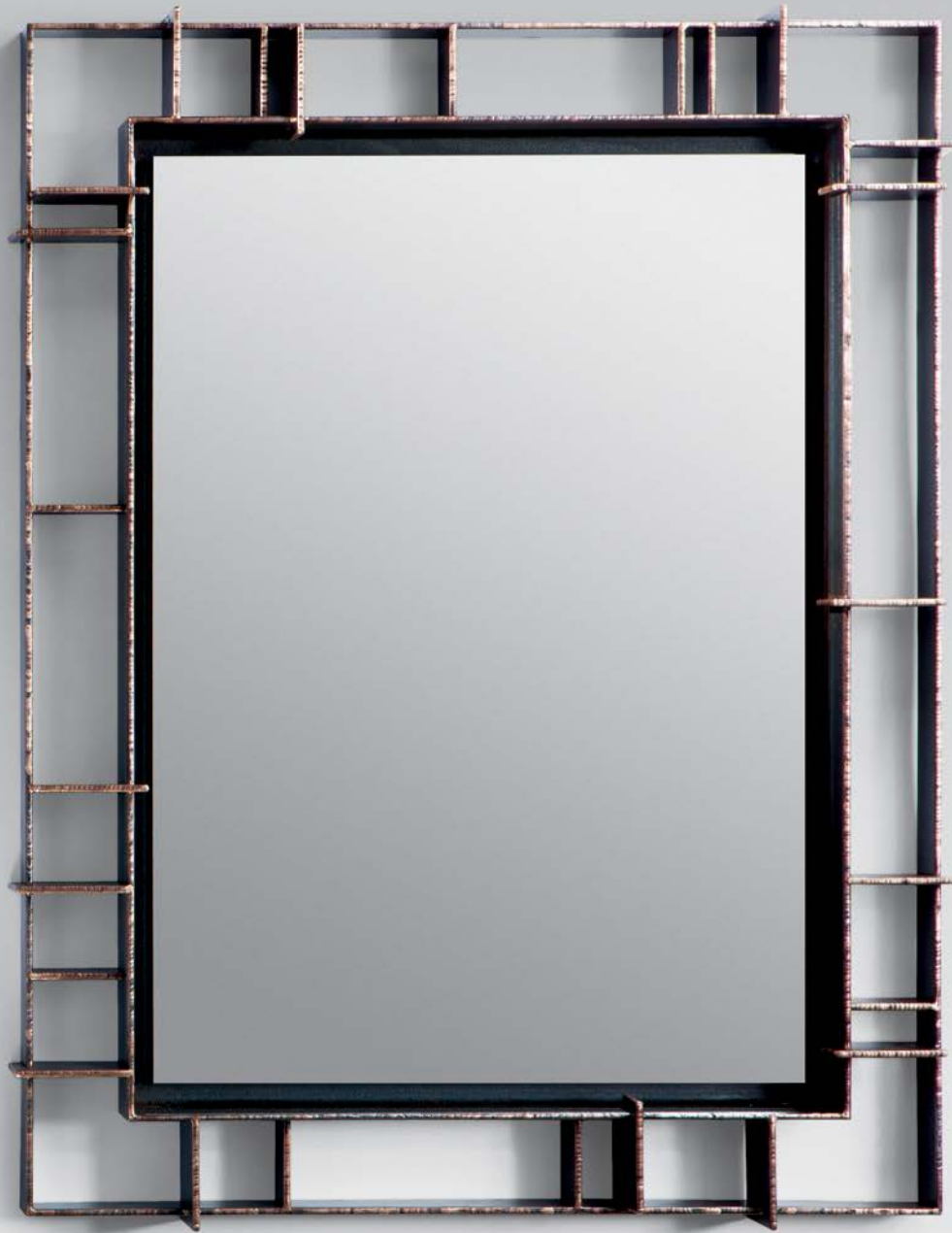
ITEM NUMBER

MF-800



228 S. East Street, Cloverdale, CA 95425
TEL 707.669.0556 WEB tuellreynolds.com





ASILOMAR MIRROR

DIMENSIONS

30 W x 40 H x 3 D as shown
Custom sizes are available.

MATERIALS

Iron with hand braised bronze
edging.

FINISH

Bronze components available in
Light, Medium, Dark or Warm
Silver (premium finish).
Clear lacquer top coat.

ITEM NUMBER

MF-700



228 S. East Street, Cloverdale, CA 95425
TEL 707.669.0556 WEB tuellreynolds.com





PANTHALASSA
CABINET

DIMENSIONS

72.625 W x 18.25 D x 28.5 H

MATERIALS

Lost wax cast bronze from the Pacific Northwest Coast. Wood interior cabinet inserts are customizable and replaceable.

FINISH

Available in Light, Medium, Dark, or Warm Silver (premium finish). Clear lacquer top coat.

ITEM NUMBER

SB - 105

NOTES

Limited Edition of 10 with 2 Artists Proofs. AP1 shown in warm silver.





RORSCHACH
SIDEBOARD CABINET

DIMENSIONS

73 W x 18 D x 34 H (+/- 1/4")

MATERIALS

Architectural bronze. Wood interior cabinet inserts are customizable and replaceable.

FINISH

hand painted lacquer resist original artwork with dark finish as shown. Please inquire for customized artwork and finishes. Clear lacquer top coat.

ITEM NUMBER

SB - 104

 **TUELL AND
REYNOLDS**

228 S. East Street, Cloverdale, CA 95425
TEL 707.669.0556 WEB tuellreynolds.com





STRATA
SIDEBOARD CABINET

DIMENSIONS
72.5 W x 17.75 D x 34 H (+/- 1/4")

MATERIALS
Hand cut bronze, semi precious stone accents of Lapis Lazuli, Sodalite, and Tigers Eye, bronze plate. Wood interior cabinet inserts are customizable and replaceable.

FINISH
Bronze components available in Light, Medium, Dark or Warm Silver (premium finish). Clear lacquer top coat.

ITEM NUMBER
SB - 103

 **TUELL AND
REYNOLDS**

228 S. East Street, Cloverdale, CA 95425
TEL 707.669.0556 WEB tuellreynolds.com





MUIR
SIDEBOARD CABINET

DIMENSIONS
73.5 W x 18 D x 34 H (+/- 1/4")

MATERIALS
Lost wax cast bronze. Wood interior cabinet inserts are customizable and replaceable.

FINISH
Bronze components available in Light, Medium, Dark or Warm Silver (premium finish). Clear lacquer top coat.

ITEM NUMBER
SB - 102

 **TUELL AND
REYNOLDS**

228 S. East Street, Cloverdale, CA 95425
TEL 707.669.0556 WEB tuellreynolds.com





MACKERRICHER
SIDEBOARD CABINET

DIMENSIONS

72.5 W x 17.75 D x 34 H (+/- 1/4")

MATERIALS

Hand engraved architectural bronze.
Wood interior cabinet inserts are customizable and replaceable.

FINISH

Original artwork with clear lacquer top coat.

ITEM NUMBER

SB - 101

NOTES

This is original artwork, completely hand engraved and other patterns or subjects can be executed.

 **TUELL AND
REYNOLDS**

228 S. East Street, Cloverdale, CA 95425
TEL 707.669.0556 WEB tuellreynolds.com





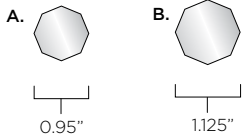
RALSTON
DRAPERY HARDWARE

See shop drawings on back for specifications and options.

MATERIALS
Cast bronze.

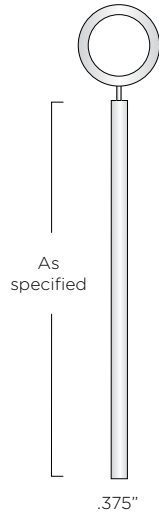
FINISH
Available in Light, Medium, Dark or Warm Silver (premium finish).
Wax top coat standard.

Rods

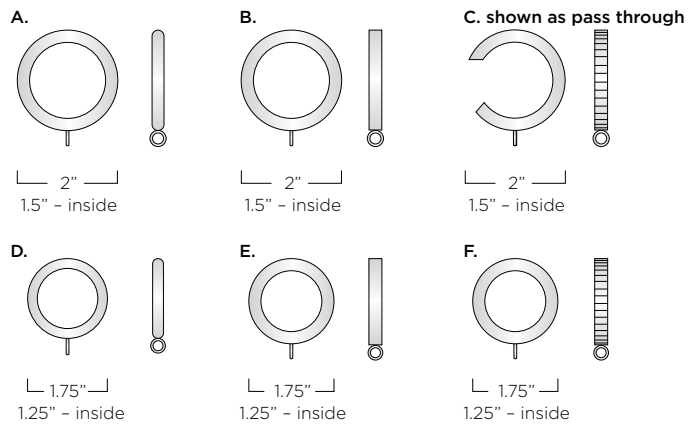


note: brackets will be larger for the 1.125 rod size

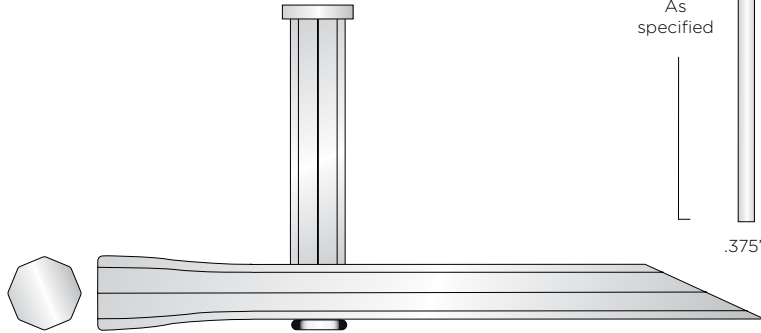
Wand



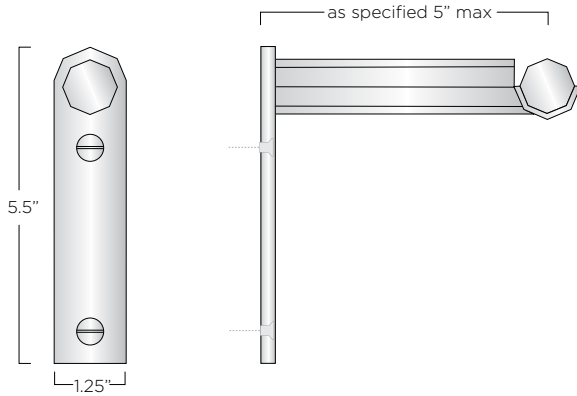
Rings



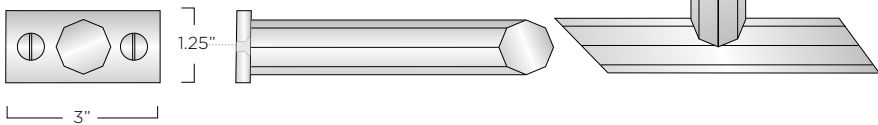
End Bracket and Finial / Top View



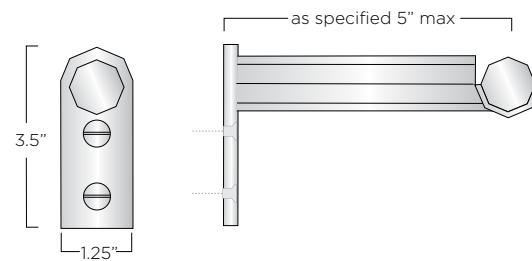
A. End Bracket



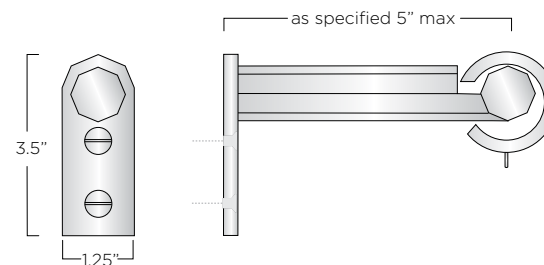
B. Fixed Center Bracket -horizontal



D. Saddle Center Bracket vertical



C. Fixed Center Bracket vertical - shown as pass through



RALSTON DRAPERY HARDWARE

Standard Plan Configurations:

Rods - Solid Cast Bronze
A. DH - 500
B. DH - 510

Rings - Solid Bronze
A. DHR - 300 Round
B. DHR - 310 Square
C. DHR - 315 Hand Hammered
D. DHR - 200 Round
E. DHR - 210 Square
F. DHR - 215 Hand Hammered

Brackets - Solid Cast Bronze
A. DHB - 300R End Bracket
B. DHB - 310R Fixed Center Bracket horizontal mounting
C. DHB - 320R Fixed Center Bracket vertical mounting
D. DHB - 330H Saddle Center Bracket vertical mounting
E. DHB - 340H Saddle Center Bracket horizontal mounting - not shown

Wands - Solid Bronze
DHWR - Round .375" please specify length
DHWS - Square .375" please specify length

Additional Notes:
 Custom configurations are also welcome.



228 S. East Street, Cloverdale, CA 95425
 TEL 707.669.0556 WEB tuellreynolds.com



HILLSBOROUGH DRAPERY HARDWARE

See shop drawings on back for specifications and options.

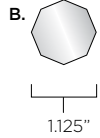
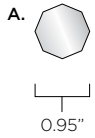
MATERIALS

Cast bronze rods and rings,
architectural bronze bracket.

FINISH

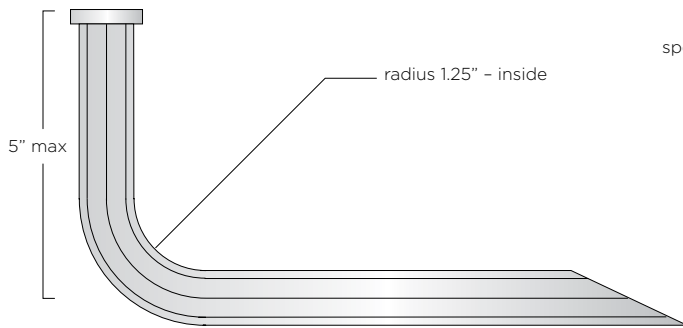
Available in Light, Medium, Dark
or Warm Silver (premium finish).
Wax top coat.

Rods

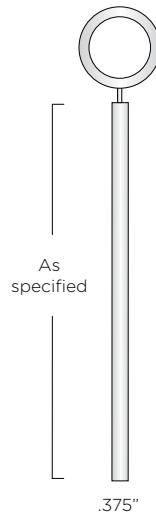


note: brackets will be larger for the 1.125 rod size

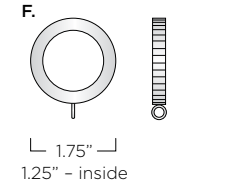
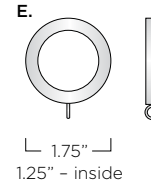
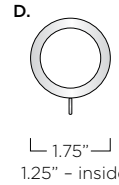
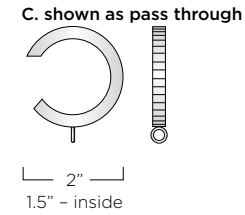
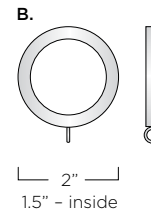
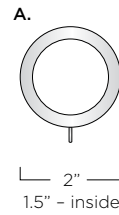
End Bracket Return / Top View



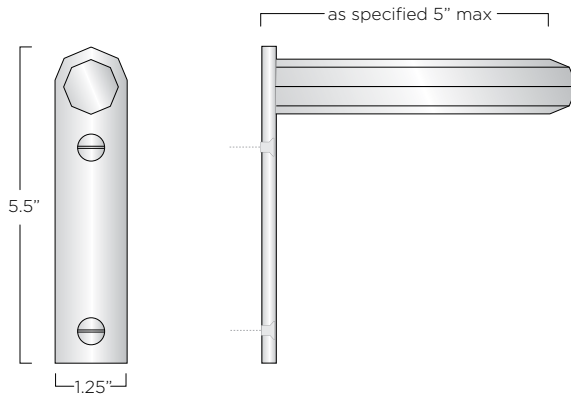
Wand



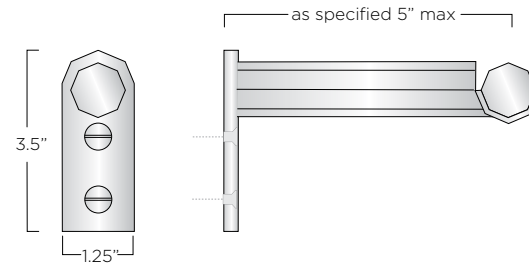
Rings



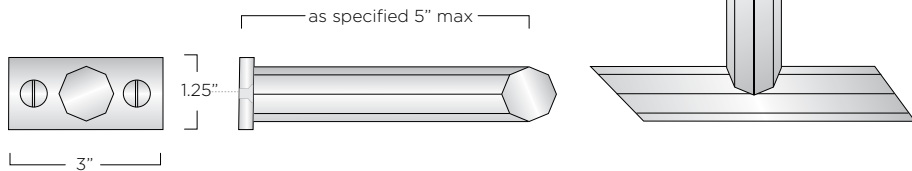
A. End Bracket Return / Side View



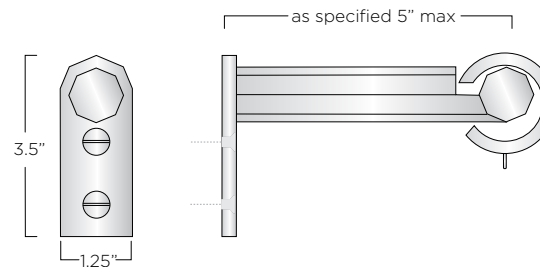
D. Saddle Center Bracket vertical



B. Fixed Center Bracket -horizontal



C. Fixed Center Bracket vertical - shown as pass through



HILLSBOROUGH DRAPERY HARDWARE

Standard Plan Configurations:

Rods - Solid Cast Bronze
A. DH - 500
B. DH - 510

Rings - Solid Bronze
A. DHR - 300 Round
B. DHR - 310 Square
C. DHR - 315 Hand Hammered
D. DHR - 200 Round
E. DHR - 210 Square
F. DHR - 215 Hand Hammered

Brackets - Solid Cast Bronze
A. DHB - 300H End Bracket
B. DHB - 310H Fixed Center Bracket horizontal mounting
C. DHB - 320H Fixed Center Bracket vertical mounting
D. DHB - 330H Saddle Center Bracket vertical mounting
E. DHB - 340H Saddle Center Bracket horizontal mounting - not shown

Wands - Solid Bronze
DHWR - Round .375" please specify length
DHWS - Square .375" please specify length

Additional Notes:
 Custom configurations are also welcome.



228 S. East Street, Cloverdale, CA 95425
 TEL 707.669.0556 WEB tuellreynolds.com



PIEDMONT
DRAPERY HARDWARE

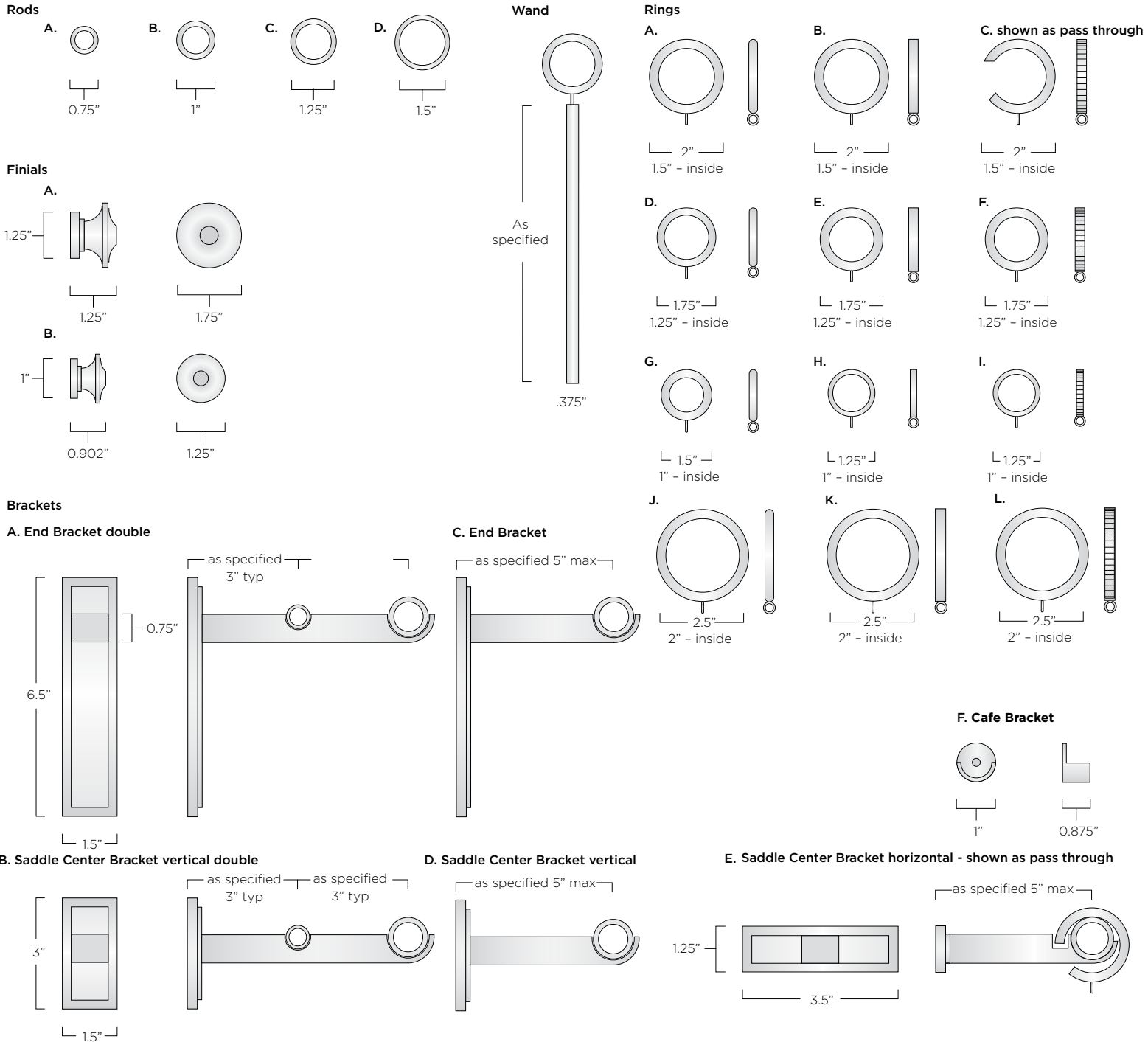
See shop drawings on back for specifications and options.

MATERIALS

Architectural bronze.

FINISH

Available in Light, Medium, Dark or Warm Silver (premium finish).
Wax top coat.



PIEDMONT DRAPERY HARDWARE

Standard Plan Configurations:

Rods - .125 Wall Architectural Bronze Tubing.

- A. DH - 100
- B. DH - 200
- C. DH - 300
- D. DH - 400

Finials - Solid Bronze

- A. DHF - 300
- B. DHF - 100

Rings - Solid Bronze

- A. DHR - 300 Round
- B. DHR - 310 Square
- C. DHR - 315 Hand Hammered
- D. DHR - 200 Round
- E. DHR - 210 Square
- F. DHR - 215 Hand Hammered
- G. DHR - 100 Round
- H. DHR - 110 Square
- I. DHR - 115 Hand Hammered
- J. DHR - 4200 Round
- K. DHR - 4210 Square
- L. DHR - 4215 Hand Hammered

Brackets - Solid Bronze with cover plates for concealed hardware.

- A. DHB - 300P End Bracket for Double Rod
- B. DHB - 335P Saddle Center Support for Double Rod vertical mounting
- C. DHB - 300 End Bracket for Single Rod
- D. DHB - 330P Saddle Center Support for Single Rod vertical mounting
- E. DHB - 340P Saddle Center Support for Single Rod horizontal mounting
- F. DHB - 320P Cafe Wall Bracket
- G. DHB - 345P Saddle Center Support for Double Rod horizontal mounting - not shown

Wands - Solid Bronze

DHWR - Round .375" please specify length
 DHWS - Square .375" please specify length

Additional Notes:

Custom configurations are also welcome.



228 S. East Street, Cloverdale, CA 95425
 TEL 707.669.0556 WEB tuellreynolds.com



NEWPORT
DRAPERY HARDWARE

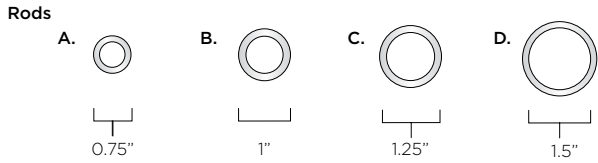
See shop drawings on back for specifications and options.

MATERIALS

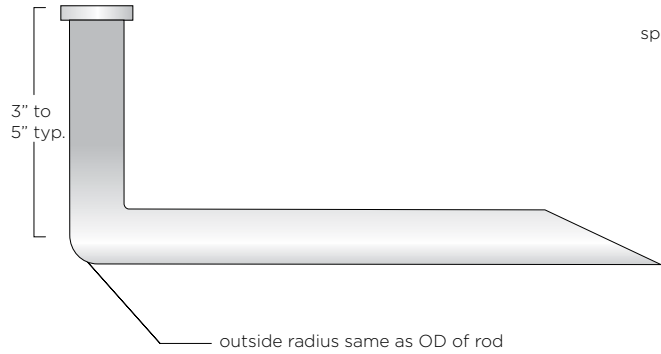
Architectural bronze.

FINISH

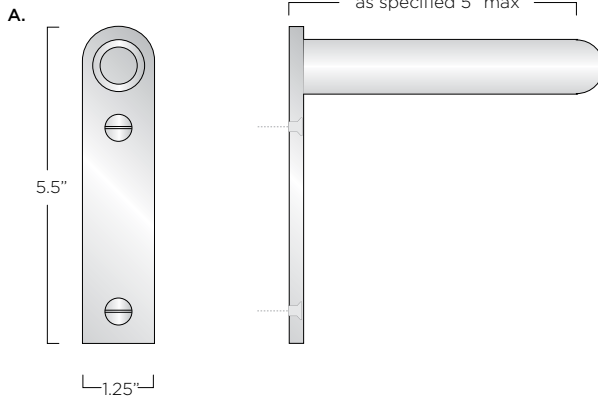
Available in Light, Medium, Dark or Warm Silver (premium finish).
Wax top coat.



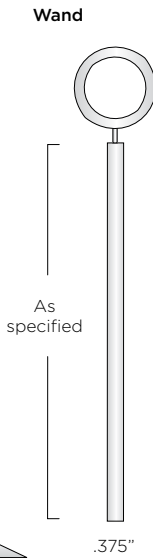
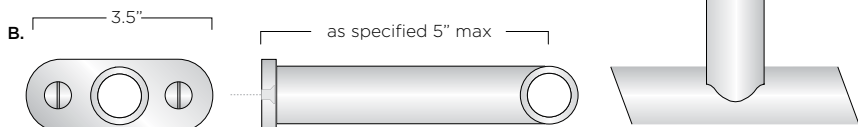
End Bracket Return / Top View



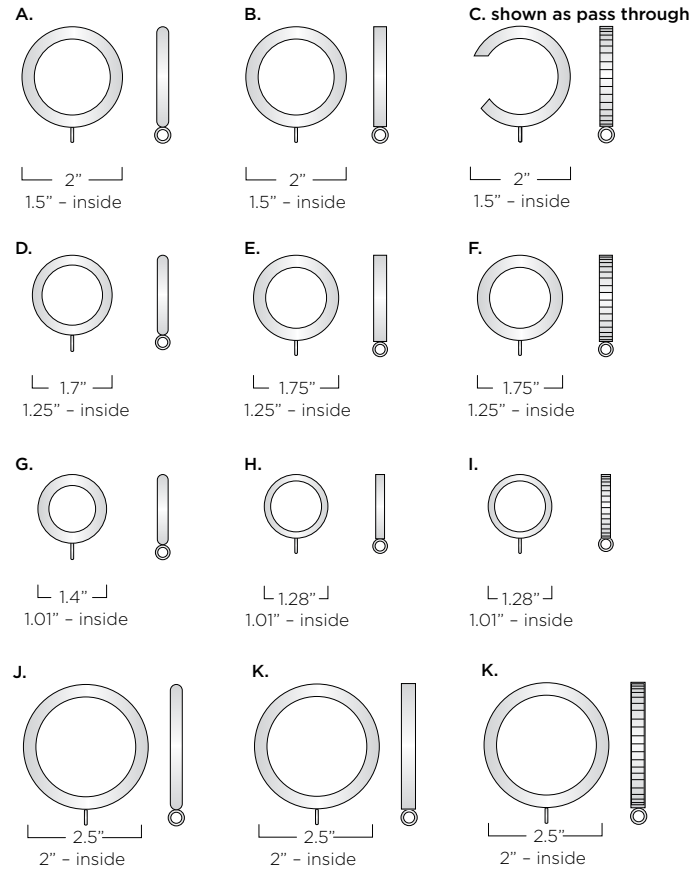
End Bracket Return / Side View



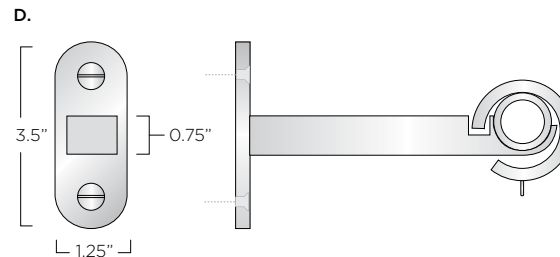
Fixed Center Bracket horizontal



Rings



Saddle Center Bracket vertical - shown as pass through



NEWPORT DRAPERY HARDWARE

Standard Plan Configurations:

Rods - .125 Wall Architectural Bronze Tubing
A. DH - 100
B. DH - 200
C. DH - 300
D. DH - 400

Rings - Solid Bronze
A. DHR - 300 Round
B. DHR - 310 Square
C. DHR - 315 Hand Hammered
D. DHR - 200 Round
E. DHR - 210 Square
F. DHR - 215 Hand Hammered
G. DHR - 100 Round
H. DHR - 110 Square
I. DHR - 115 Hand Hammered
J. DHR - 4200 Round
K. DHR - 4210 Square
L. DHR - 4215 Hand Hammered

Brackets - Solid Bronze
A. DHB - 300N
B. DHB - 310N Fixed Center Support horizontal
C. DHB - 320N Fixed Center Support vertical mounting (not shown)
D. DHB - 330N Saddle Center Support vertical mounting
E. DHB - 340N Saddle Center Support horizontal mounting (not shown)

Wands - Solid Bronze
DHWR - Round .375" please specify length
DHWS - Square .375" please specify length

Additional Notes:
 See spread sheet for other options.
 Custom configurations welcome.



228 S. East Street, Cloverdale, CA 95425
 TEL 707.669.0556 WEB tuellreynolds.com

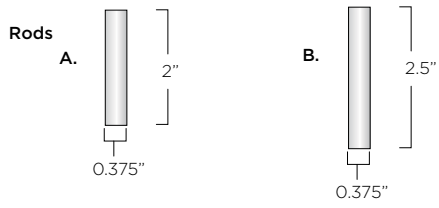


ROSS
DRAPERY HARDWARE

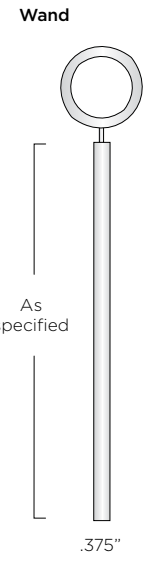
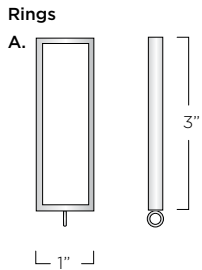
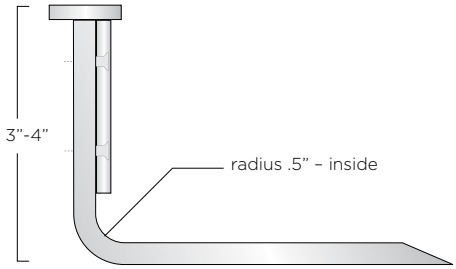
See shop drawings on back for specifications and options.

MATERIALS
Architectural bronze.

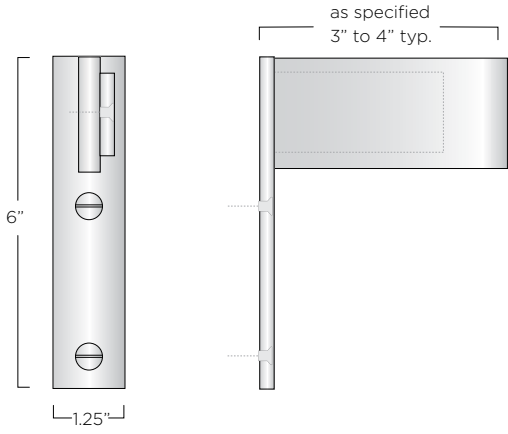
FINISH
Available in Light, Medium, Dark or Warm Silver (premium finish).
Wax top coat.



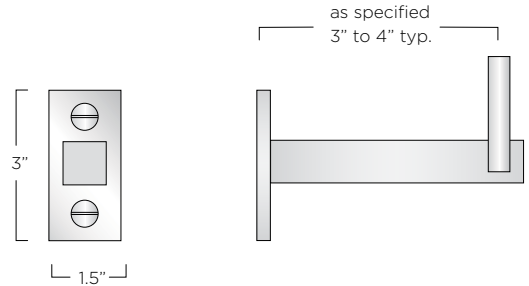
A. End Bracket Return / Top View



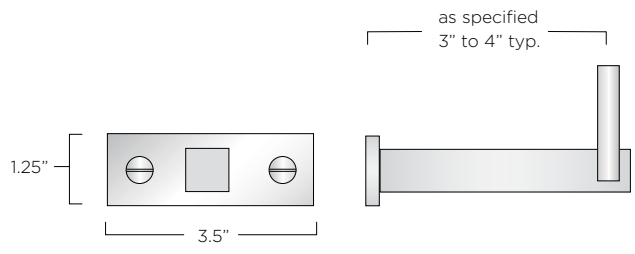
A. End Bracket Return / Side View



B. Saddle Center Bracket vertical mounting



C. Saddle Center Bracket horizontal mounting



ROSS DRAPERY HARDWARE

Standard Plan Configurations:

Rods - Solid Architectural Bronze Bar
A. DH - 800
B. DH - 825

Rings - Solid Bronze
A. DHR - 800

Brackets - Architectural Bronze
A. DHB - 800
B. DHB - 900 Saddle Center Bracket
vertical mounting
C. DHB - 910 Saddle Center Bracket
horizontal mounting

Wands - Solid Bronze
DHWR - Round .375" please specify length
DHWS - Square .375" please specify length

Additional Notes:
 Custom configurations are also welcome.



228 S. East Street, Cloverdale, CA 95425
 TEL 707.669.0556 WEB tuellreynolds.com



BERKELEY
DRAPERY HARDWARE

See shop drawings for specifications and options.

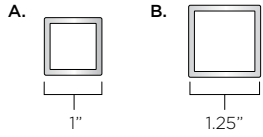
MATERIALS

Blackened laquered steel rod with waxed bronze.

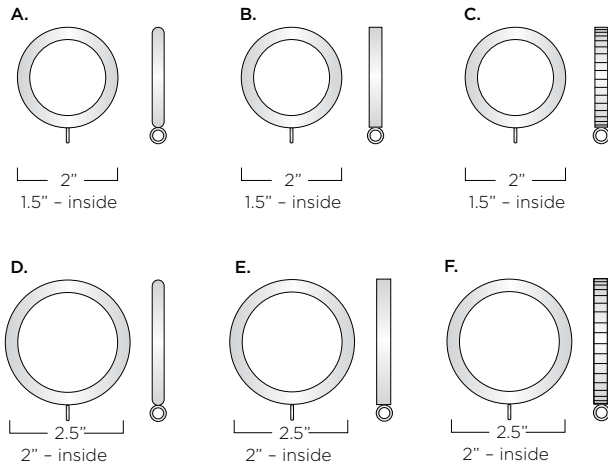
FINISH

Bronze components available in Light, Medium, Dark or Warm Silver (premium finish). Steel components lacquer top coat, Bronze components wax top coat.

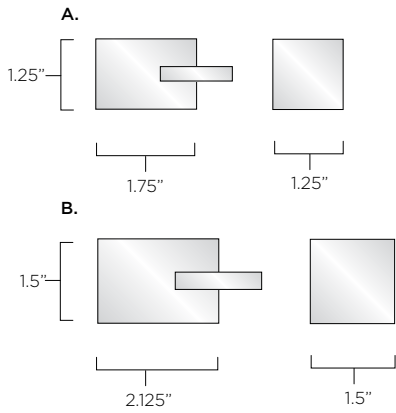
Rods



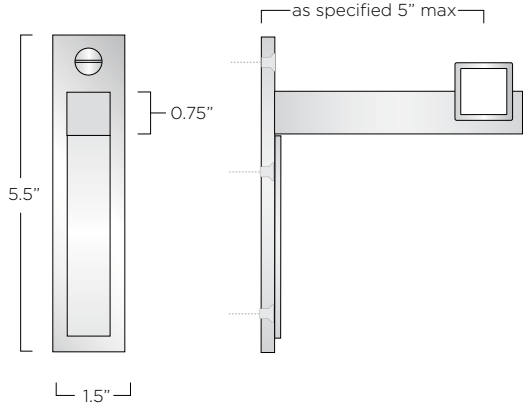
Rings



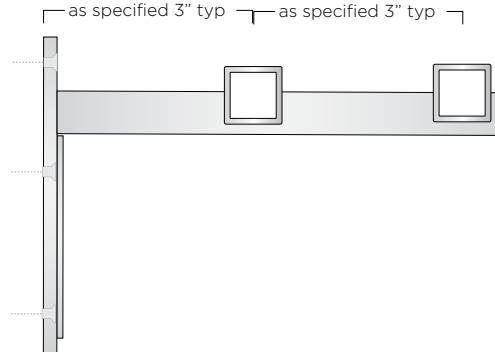
Finials



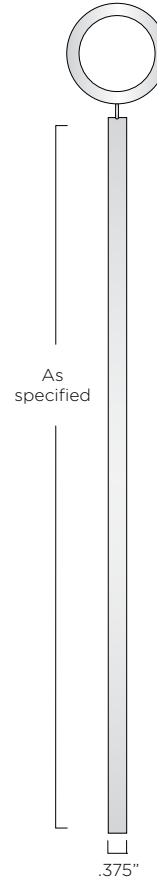
A. End Bracket



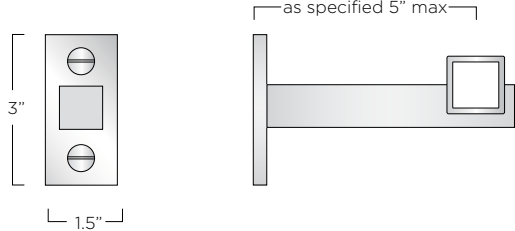
D. End Bracket double



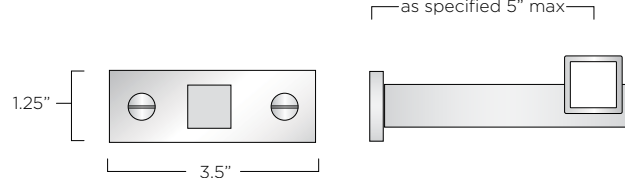
Wand



B. Center Bracket vertical



C. Center Bracket horizontal.



BERKELEY DRAPERY HARDWARE

Standard Plan Configurations:

Rods - Powder Coated Steel
A. DH - 600
B. DH - 700

Finials - Bronze Cap
A. DHF - 500
B. DHF - 600

Rings - Solid Bronze
A. DHR - 300 Round
B. DHR - 310 Square
C. DHR - 315 Hand Hammered
D. DHR - 4200 Round
E. DHR - 4210 Square
F. DHR - 4215 Hand Hammered

Brackets - Powder Coated Steel with Bronze Cover Plates
A. DHB - 400 End Bracket Single Rod
B. DHB - 500 Saddle Center Support vertical mounting
C. DHB - 600 Saddle Center Support horizontal mounting
D. DHB - 410 End Bracket Double Rod
E. DHB - 510 Saddle Center Support Double Rod horizontal mounting - not shown
F. DHB - 610 Saddle Center Support Double Rod horizontal mounting - not shown

Wands - Solid Bronze
DHWR - Round .375" please specify length
DHWS - Square .375" please specify length

Additional Notes:
 Custom configurations are also welcome.



228 S. East Street, Cloverdale, CA 95425
 TEL 707.669.0556 WEB tuellreynolds.com



CALDERA ETAGERE

75 W x 9.75 D x 36.25 H
33" to top of shelf.

MATERIALS

Blackened cold rolled steel and
pewter finish aluminum.

FINISH

Available as shown. Hot wax top
coat standard.

ITEM NUMBER

A-180

NOTES

Also available with cast bronze
shelves in any of our bronze fin-
ishes. Base also available in stainless
steel. Shelving units with built in
bookends are removable and can
be moved and rearranged.

 **TUELL AND
REYNOLDS**

228 S. East Street, Cloverdale, CA 95425
TEL 707.669.0556 WEB tuellreynolds.com





CARDIFF
TRAY

DIMENSIONS

12" x 7" - Shapes vary slightly

MATERIALS

Unique lost wax cast bronze from sea kelp.

FINISH

Available in Light, Medium, Dark or Warm Silver (premium finish). Wax top coat standard.

ITEM NUMBER

A - 150





LIGHT BRONZE



MEDIUM BRONZE



DARK BRONZE



WARM SILVER*

BRONZE PATINA FINISHES

Bronze is a reflective surface whose color changes in different light. The material will also reflect colors of the room or the object it is close to. All finishes are patinaed. The patina process is a chemical oxidation subject to change in method of application and metal densities. Sample finishes are representative only. Final color or appearance cannot be guaranteed.

SEALERS + TOP COATS

We utilize both wax top coats and clear satin lacquer top coats. Both offer advantages and disadvantages.

A wax top coat provides an archival quality finish. As a living finish, the wax coat enables the metal to darken and age underneath and through the wax. The finish needs to be maintained by reapplying additional wax from time to time. Should damage occur, a wax finish is easier to retouch. Waxed surfaces need to be cared for and treated like a fine piece of wood furniture; coasters should be used, spills should be wiped up immediately, etc.

A clear lacquer top coat offers more protection and requires less maintenance. Wax may be applied over the lacquer for additional protection. Damage, such as scratches, can be more complex to repair as the lacquer may need to be entirely removed. The color tone of the metal will be preserved to a much greater extent than with a wax finish. We recommend lacquer top coats for hospitality, high use areas, households with children or any surface that will be used for dining/eating.

Our catalog and website indicates our recommended top coat for each item. Please contact us to assure that your top coat suits your lifestyle and preference.