



FRACTAL COCKTAIL TABLE

DIMENSIONS

Large: 41.5 W x 25.75 D x 16.75 H

Small: 35.25 W x 22 D x 15.5 H

MATERIALS

Cast bronze tops, architectural bronze base and shelf.

FINISH

Available in Light, Medium, Dark, or Warm Silver (premium finish)
Clear lacquer top coat.

ITEM NUMBERS

T-110 Pair

T-111 Small

T-112 Large

NOTE

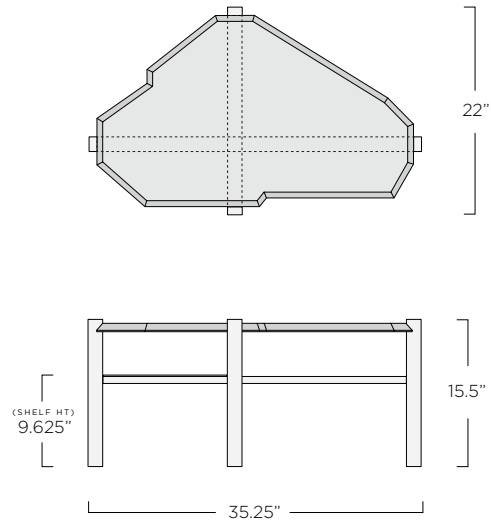
Available individually or as a nested pair. Shown with two-tone finish.

 **TUELL AND
REYNOLDS**

228 S. East Street, Cloverdale, CA 95425

TEL 707.669.0556 WEB tuellreynolds.com

T-111 - Small Table



T-112 - Large Table

