



ASILOMAR
SIDE TABLE

DIMENSIONS

15 W x 15 D x 22 H
See diagram for other configurations and sizes.

MATERIALS

Blackened steel with hand brazed bronze edging.

FINISH

Bronze components available in Light, Medium, Dark or Warm Silver (premium finish).
Wax top coat standard.

ITEM NUMBER

ST-410
ST-420 for mirrored pair

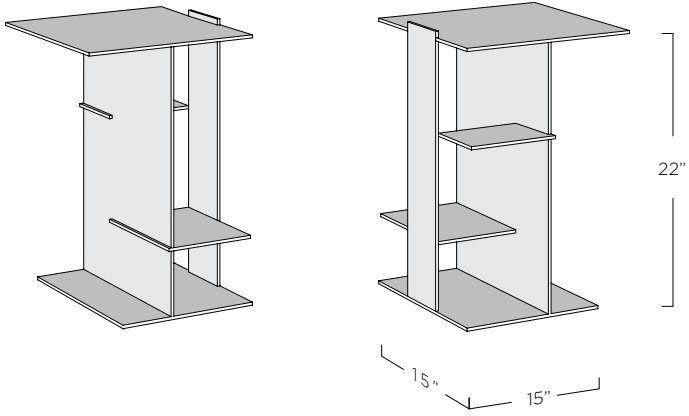
NOTES

Pairs of tables are mirrored.
Custom configurations are welcome.

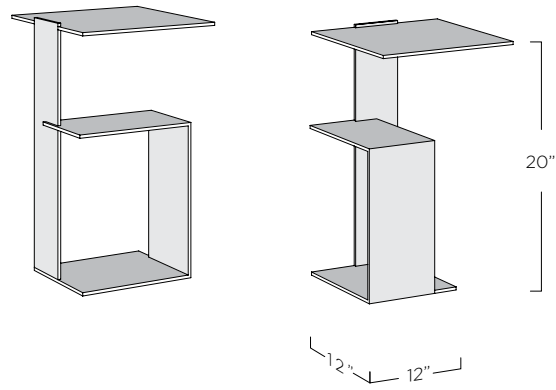


228 S. East Street, Cloverdale, CA 95425
TEL 707.669.0556 WEB tuellreynolds.com

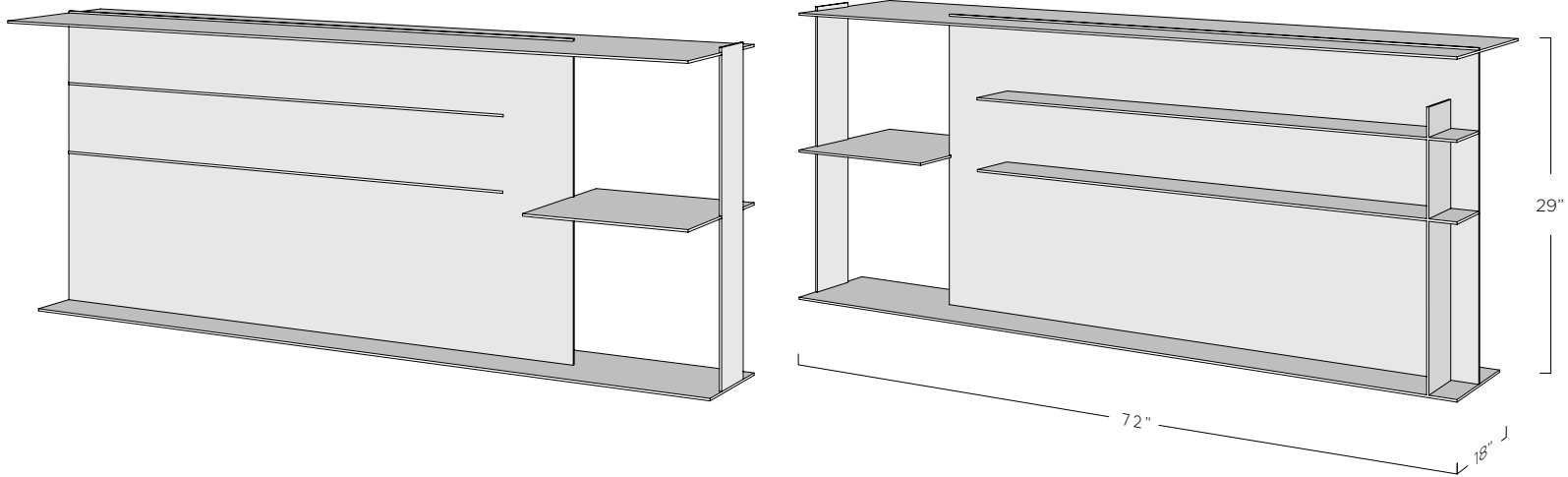
A. Tall Side Table



B. Accent Table



C. Console / Room Divider



ASILOMAR TABLES

Standard Plan Configurations:

A. Tall Side Table
15 W x 15 D x 22 H

B. Accent Table
12 W x 12 D x 20 H

C. Console / Room Divider
84 W x 18 D x 34 H

Custom configurations are also welcome.



228 S. East Street, Cloverdale, CA 95425
TEL 707.669.0556 WEB tuellreynolds.com