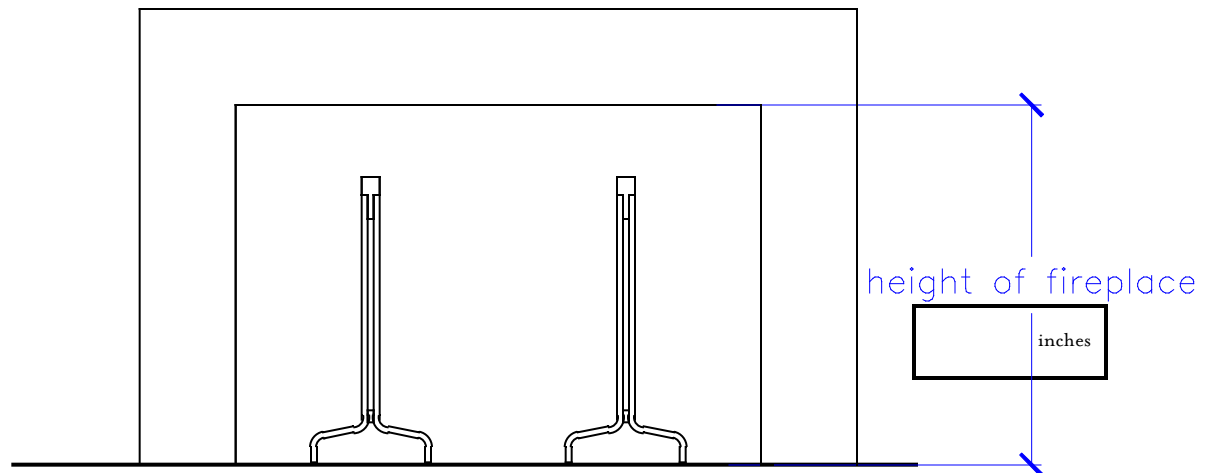


plan view of typical fireplace



elevation of typical fireplace

1. Measuring for andirons is simple - check depth of firebox and supply us with the dimension. Our typical andiron leg is 20" deep from front of andiron to end of leg inside firebox. For more shallow fireplaces we will shorten the rear leg at no upcharge.
2. The customer should also determine whether the andirons will sit entirely inside the firebox as is traditional, or entirely on the hearth or both inside and outside the firebox as is shown on the plan diagram above. If the andirons will sit partially inside and partially outside the firebox we will need to know if there is a significant change in elevation from the hearth to the firebox. It is typical for the firebox to be 1/2" to 3/4" below the level of the hearth. We accommodate this by using an adjustable screw or bolt at the rear leg of the andiron.

## instructions for measuring for custom made andirons