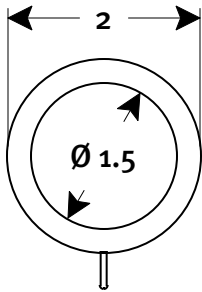


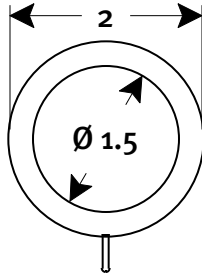
DH -100 rod

DH -200 rod

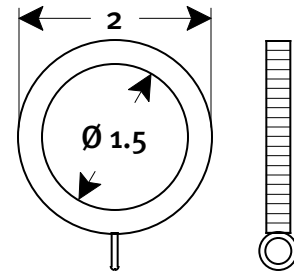
DH -300 rod



DHR-300 ring



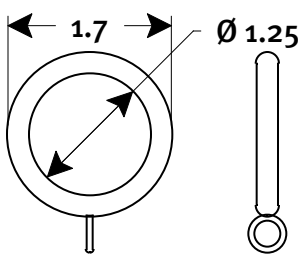
DHR -310 ring



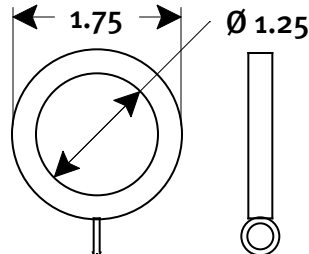
DHR-315 ring (hammered)

these size rings work well with 1-1/8" rod or with 1" rod

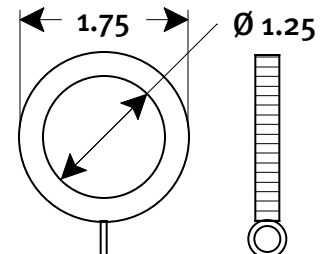
---



DHR-200 ring



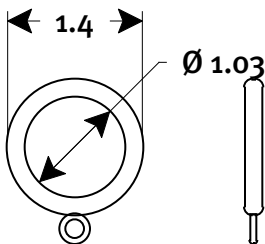
DHR-210 ring



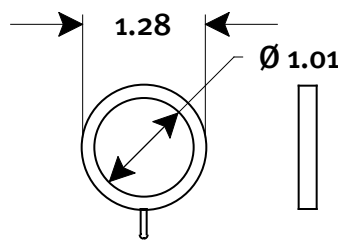
DHR-215 ring (hammered)

these size rings work well with 1" rod

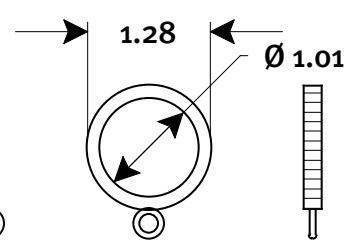
---



DHR-100 ring



DHR-120 ring

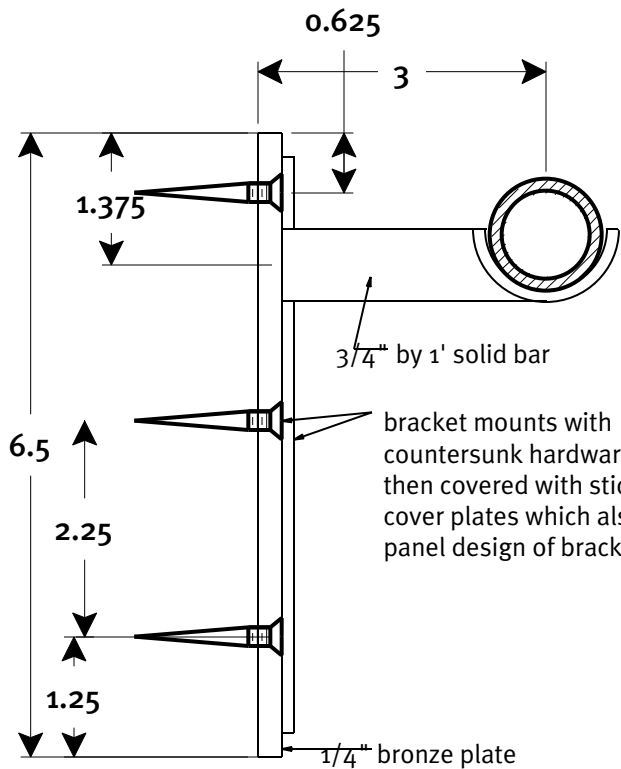


DHR-125 ring (hammered)

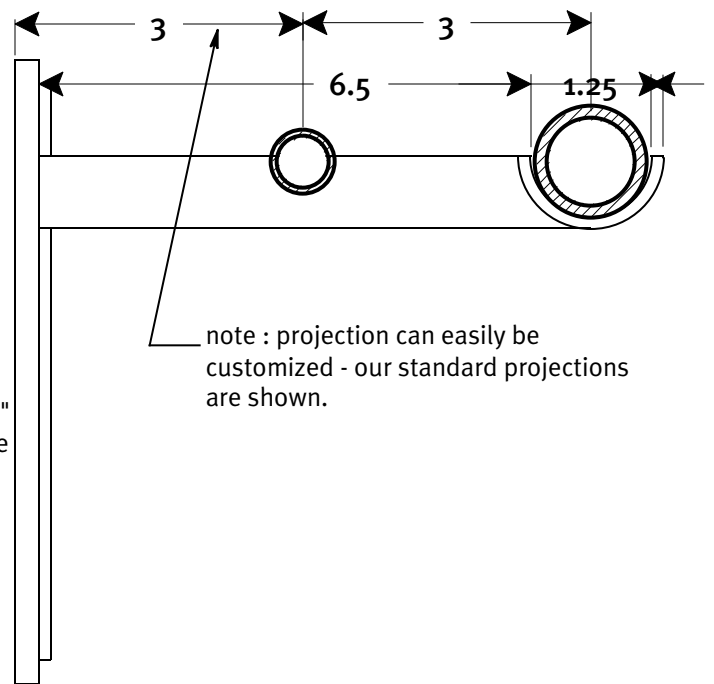
these size rings work well with 3/4" od rod

---

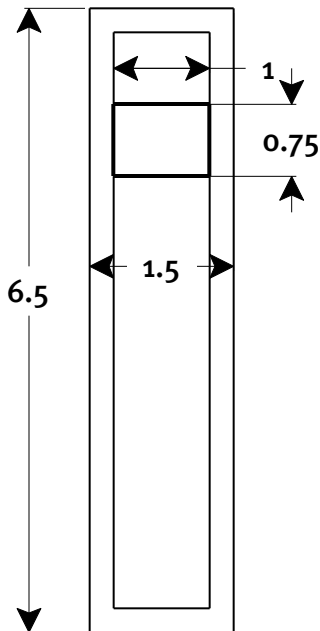
## drapery hardware shop drawings



large bracket-single rod  
side view DHB-300

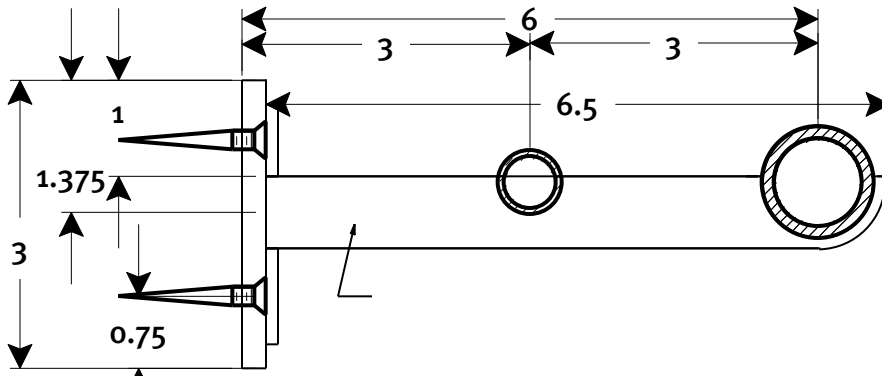


large bracket - double rod  
side view DHB-310

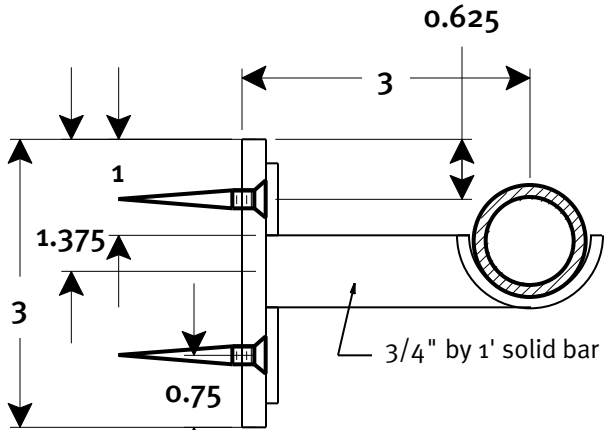


large bracket front view DHB-300 or 310

# drapery hardware shop drawings

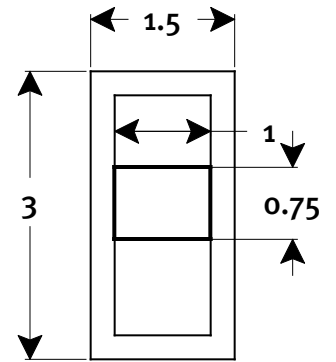


large bracket - double rod  
side view DHB-310 - center support style



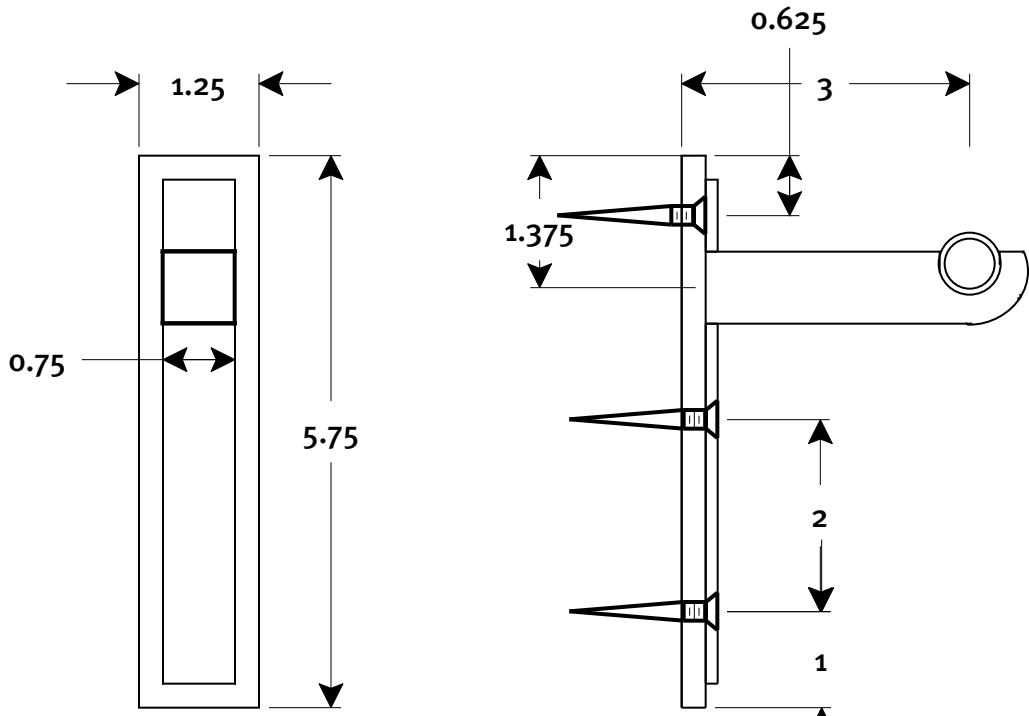
large bracket-single rod  
side view DHB-300 - center support style

large bracket-single rod  
side view DHB-300 - center style



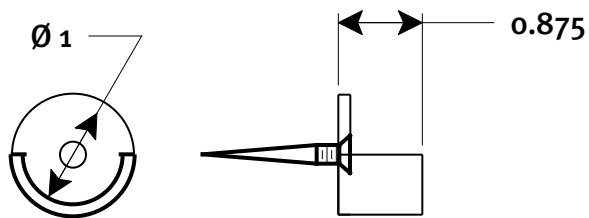
large bracket front view  
DHB-300 or DHB-310  
center support style

# drapery hardware shop drawings



small bracket-front view  
DHB-100

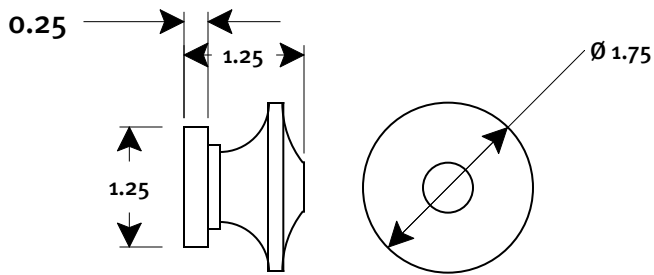
small bracket - single 3/4" rod  
side view DHB-100



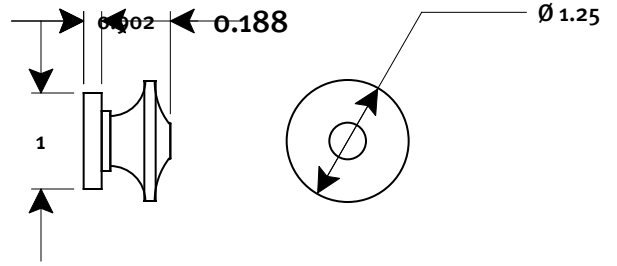
end bracket-front and side view. DHB-200 for 1" rod.

available for all size rods

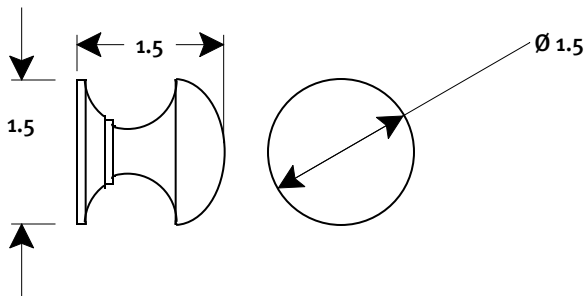
## drapery hardware shop drawings



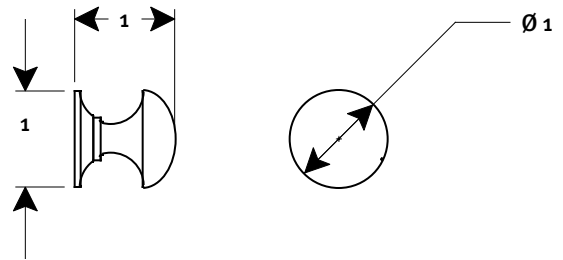
modern finial-large  
use for 1" or 1-1/8"  
rod sizes



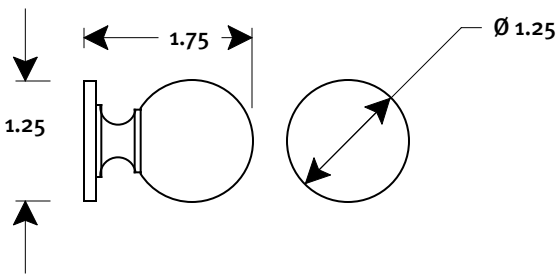
modern finial-small  
use for 3/4" rod size



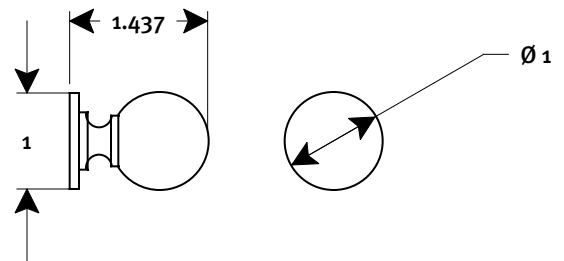
mushroom finial-large  
use for 1" or 1-1/8"  
rod sizes



mushroom finial-small  
use for 3/4" rod size

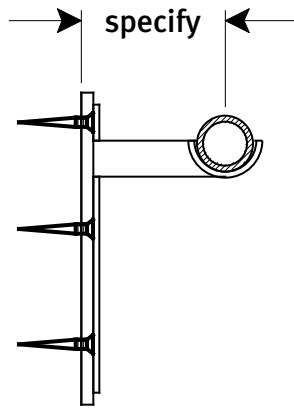


ball finial-large  
use for 1" or 1-1/8"  
rod sizes

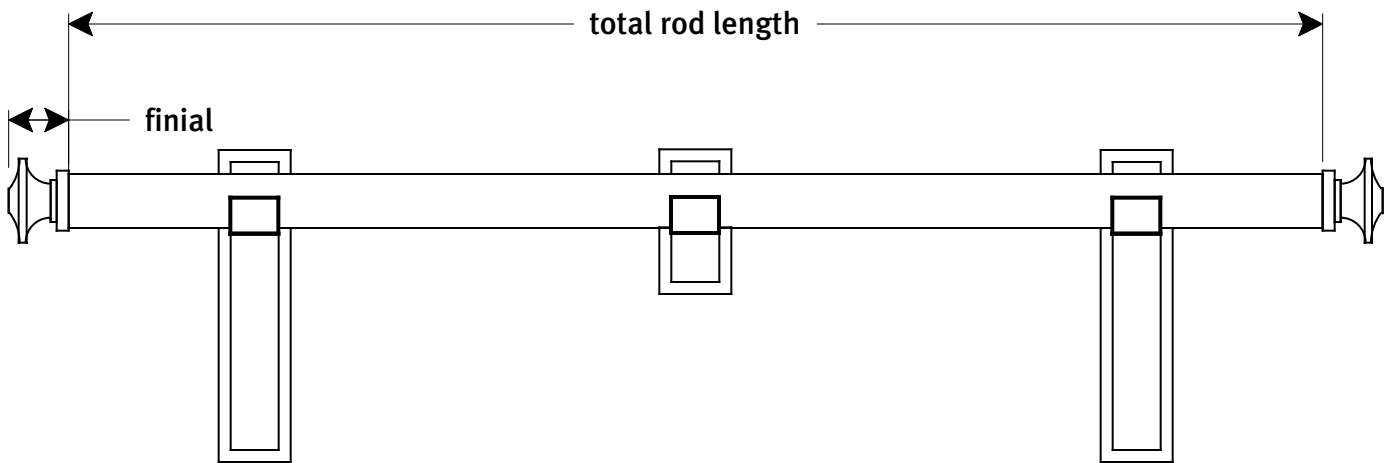


ball finial-small  
use for 3/4" rod size

## drapery hardware shop drawings



1. Specify projection from wall to center line of rod if different from our standard projections.



2. Specify length of rod not including finials.  
Bracket location can be adjusted during the installation. We recommend installation of brackets into studs or solid wood blocking. Please note: as our hardware is constructed of solid bronze and 1/8" wall bronze tube, it is heavier than standard drapery hardware and we do not recommend installation with drywall anchors.
3. Decide whether you will need one or more center supports for the rod. See page 3 of our drapery specifications for our standard center style bracket. Please contact us for additional information regarding deflection of our standard bronze tubing sizes over various spans. Custom center supports can also be specified by the designer if the standard version does not work for your application. As for the brackets, we recommend installation of center supports into studs or solid wood blocking.

## drapery hardware - instructions for measuring