



**BERKELEY**  
DRAPERY HARDWARE

---

See shop drawings for specifications and options.

**MATERIALS**

Blackened laquered steel rod with waxed bronze.

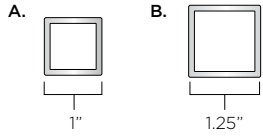
**FINISH**

Bronze components available in Light, Medium, Dark or Warm Silver (premium finish). Steel components lacquer top coat, Bronze components wax top coat.

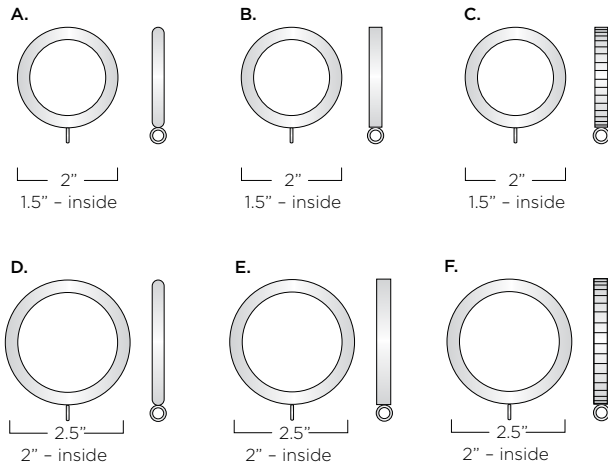


228 S. East Street, Cloverdale, CA 95425  
TEL 707.669.0556 WEB [tuellreynolds.com](http://tuellreynolds.com)

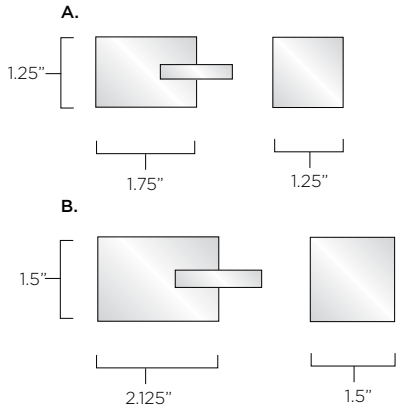
**Rods**



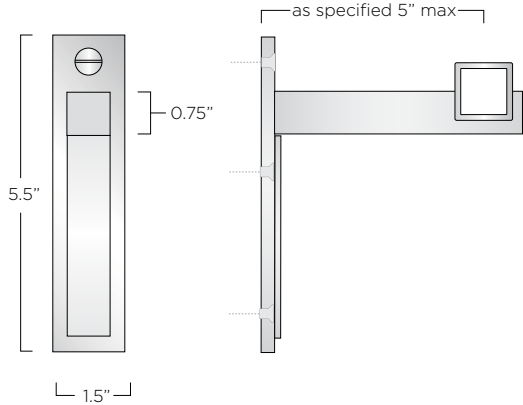
**Rings**



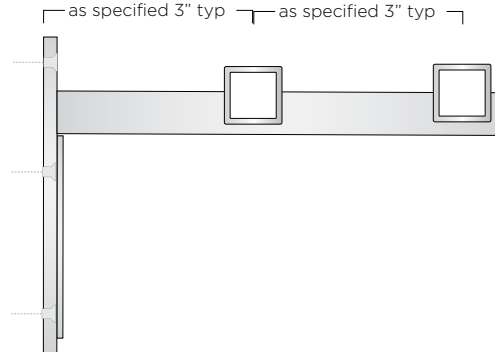
**Finials**



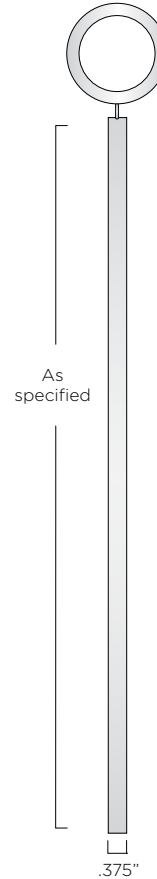
**A. End Bracket**



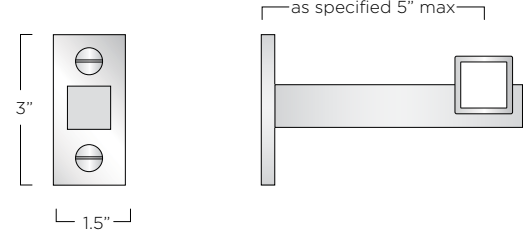
**D. End Bracket double**



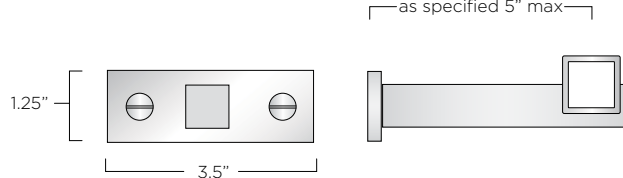
**Wand**



**B. Center Bracket vertical**



**C. Center Bracket horizontal.**



**BERKELEY DRAPERY HARDWARE**

**Standard Plan Configurations:**

**Rods** - Powder Coated Steel

A. DH - 600

B. DH - 700

**Finials** - Bronze Cap

A. DHF - 500

B. DHF - 600

**Rings** - Solid Bronze

A. DHR - 300 Round

B. DHR - 310 Square

C. DHR - 315 Hand Hammered

D. DHR - 4200 Round

E. DHR - 4210 Square

F. DHR - 4215 Hand Hammered

**Brackets** - Powder Coated Steel with Bronze Cover Plates

A. DHB - 400 End Bracket Single Rod

B. DHB - 500 Saddle Center Support vertical mounting

C. DHB - 600 Saddle Center Support horizontal mounting

D. DHB - 410 End Bracket Double Rod

E. DHB - 510 Saddle Center Support Double Rod horizontal mounting - not shown

F. DHB - 610 Saddle Center Support Double Rod horizontal mounting - not shown

**Wands** - Solid Bronze

DHWR - Round .375" please specify length

DHWS - Square .375" please specify length

**Additional Notes:**

Custom configurations are also welcome.



228 S. East Street, Cloverdale, CA 95425

TEL 707.669.0556 WEB tuellreynolds.com